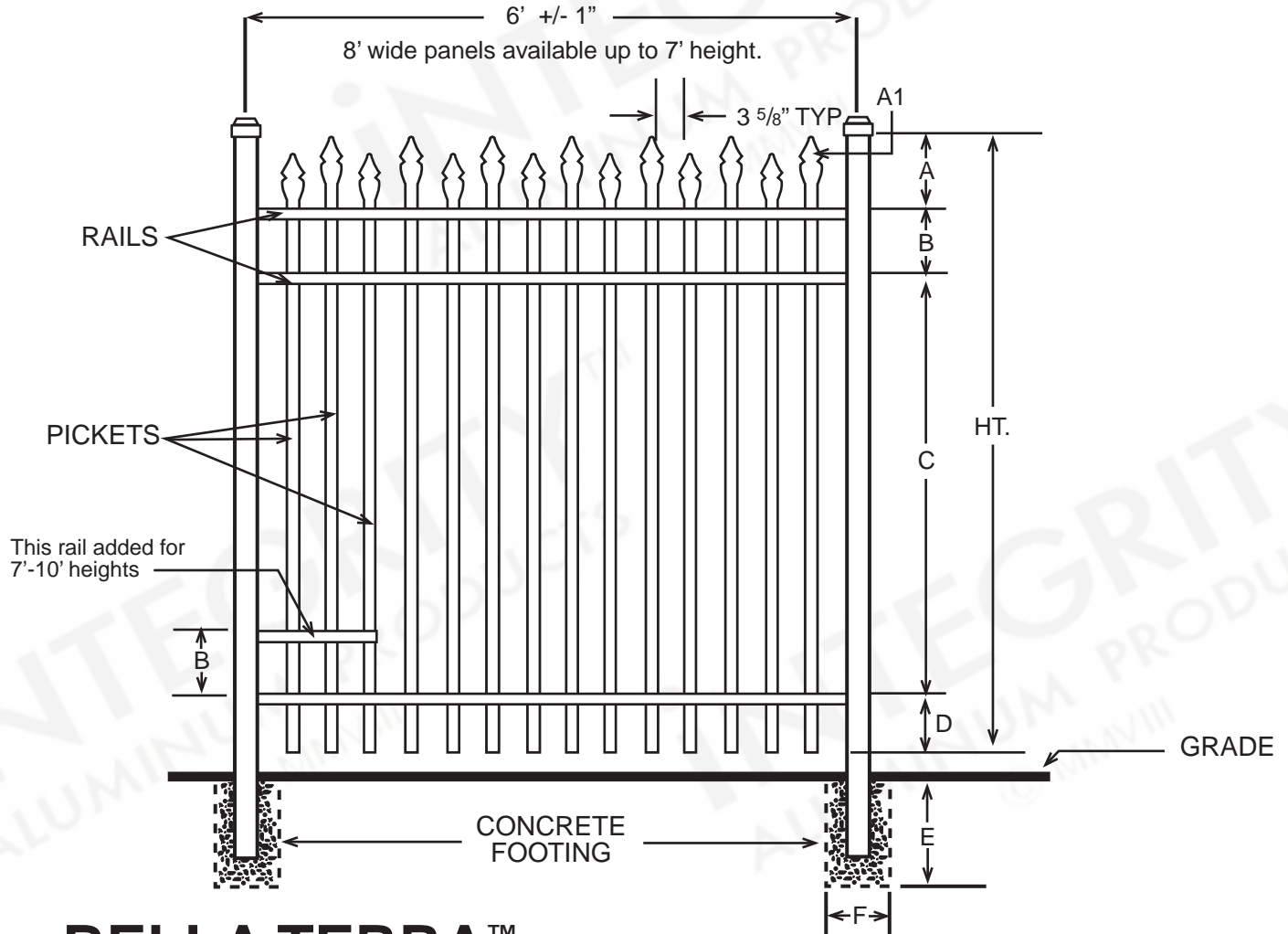


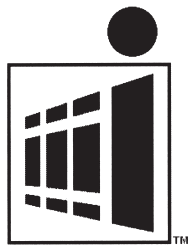
**iNTEGRITY™**  
ALUMINUM PRODUCTS  
800.762.8876



## BELLA TERRA™ ULTIMATE

DIMENSIONS							
HT	A	A1	B	C	D	E	F
3'	6 <sup>5</sup> / <sub>8</sub> "	1 <sup>1</sup> / <sub>2</sub> "	7 <sup>5</sup> / <sub>8</sub> "	14 <sup>3</sup> / <sub>4</sub> "	7"	Per Local Code	
4'	6 <sup>5</sup> / <sub>8</sub> "	1 <sup>1</sup> / <sub>2</sub> "	7 <sup>5</sup> / <sub>8</sub> "	26 <sup>3</sup> / <sub>4</sub> "	7"	Per Local Code	
5'	6 <sup>5</sup> / <sub>8</sub> "	1 <sup>1</sup> / <sub>2</sub> "	7 <sup>5</sup> / <sub>8</sub> "	38 <sup>3</sup> / <sub>4</sub> "	7"	Per Local Code	
6'	6 <sup>5</sup> / <sub>8</sub> "	1 <sup>1</sup> / <sub>2</sub> "	7 <sup>5</sup> / <sub>8</sub> "	50 <sup>3</sup> / <sub>4</sub> "	7"	Per Local Code	
7'	9 <sup>5</sup> / <sub>8</sub> "	2 <sup>1</sup> / <sub>2</sub> "	10 <sup>5</sup> / <sub>8</sub> "	53 <sup>3</sup> / <sub>4</sub> "	10"	Per Local Code	
8'	9 <sup>5</sup> / <sub>8</sub> "	2 <sup>1</sup> / <sub>2</sub> "	10 <sup>5</sup> / <sub>8</sub> "	65 <sup>3</sup> / <sub>4</sub> "	10"	Per Local Code	
9'	12 <sup>5</sup> / <sub>8</sub> "	3"	13 <sup>5</sup> / <sub>8</sub> "	68 <sup>3</sup> / <sub>4</sub> "	13"	Per Local Code	
10'	12 <sup>5</sup> / <sub>8</sub> "	3"	13 <sup>5</sup> / <sub>8</sub> "	80 <sup>3</sup> / <sub>4</sub> "	13"	Per Local Code	
All Dimensions Are Nominal							

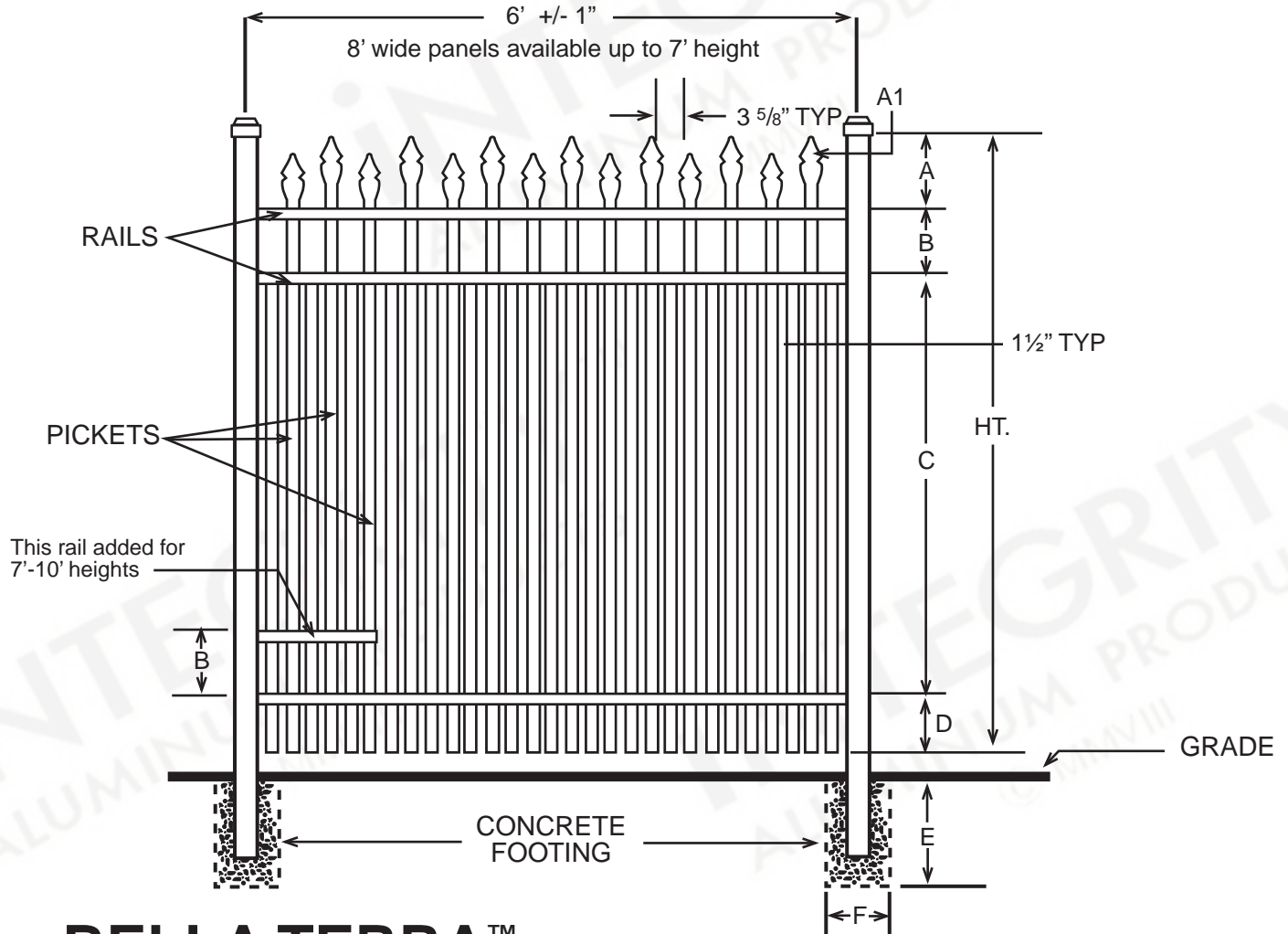
SPECIFICATIONS COMMERCIAL ULTIMATE	
Posts Available	2 <sup>1</sup> / <sub>2</sub> " x 2 <sup>1</sup> / <sub>2</sub> " x .100 Wall 3" x 3" x .125 Wall 4" x 4" x .125 Wall
Horizontal Rails Side Walls Top Walls	1 <sup>5</sup> / <sub>8</sub> " x 1 <sup>5</sup> / <sub>8</sub> " .100" .070"
Pickets Picket Spacing	1" x 1" x .062 Wall 3 <sup>5</sup> / <sub>8</sub> "
Heights Available	3, 4, 5, 6, 7, 8, 9, & 10 Ft.
Widths Available	6 & 8 Ft.



# INTEGRITY™

## ALUMINUM PRODUCTS

800.762.8876



## BELLA TERRA™ ULTIMATE EXTREME

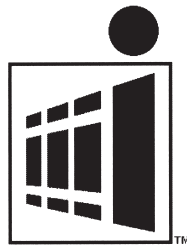
### DIMENSIONS

HT	A	A1	B	C	D	E	F
3'	6 <sup>5</sup> / <sub>8</sub> "	1 <sup>1</sup> / <sub>2</sub> "	7 <sup>5</sup> / <sub>8</sub> "	14 <sup>3</sup> / <sub>4</sub> "	7"	Per Local Code	
4'	6 <sup>5</sup> / <sub>8</sub> "	1 <sup>1</sup> / <sub>2</sub> "	7 <sup>5</sup> / <sub>8</sub> "	26 <sup>3</sup> / <sub>4</sub> "	7"	Per Local Code	
5'	6 <sup>5</sup> / <sub>8</sub> "	1 <sup>1</sup> / <sub>2</sub> "	7 <sup>5</sup> / <sub>8</sub> "	38 <sup>3</sup> / <sub>4</sub> "	7"	Per Local Code	
6'	6 <sup>5</sup> / <sub>8</sub> "	1 <sup>1</sup> / <sub>2</sub> "	7 <sup>5</sup> / <sub>8</sub> "	50 <sup>3</sup> / <sub>4</sub> "	7"	Per Local Code	
7'	9 <sup>5</sup> / <sub>8</sub> "	2 <sup>1</sup> / <sub>2</sub> "	10 <sup>5</sup> / <sub>8</sub> "	53 <sup>3</sup> / <sub>4</sub> "	10"	Per Local Code	
8'	9 <sup>5</sup> / <sub>8</sub> "	2 <sup>1</sup> / <sub>2</sub> "	10 <sup>5</sup> / <sub>8</sub> "	65 <sup>3</sup> / <sub>4</sub> "	10"	Per Local Code	
9'	12 <sup>5</sup> / <sub>8</sub> "	3"	13 <sup>5</sup> / <sub>8</sub> "	68 <sup>3</sup> / <sub>4</sub> "	13"	Per Local Code	
10'	12 <sup>5</sup> / <sub>8</sub> "	3"	13 <sup>5</sup> / <sub>8</sub> "	80 <sup>3</sup> / <sub>4</sub> "	13"	Per Local Code	

All Dimensions Are Nominal

### SPECIFICATIONS COMMERCIAL ULTIMATE

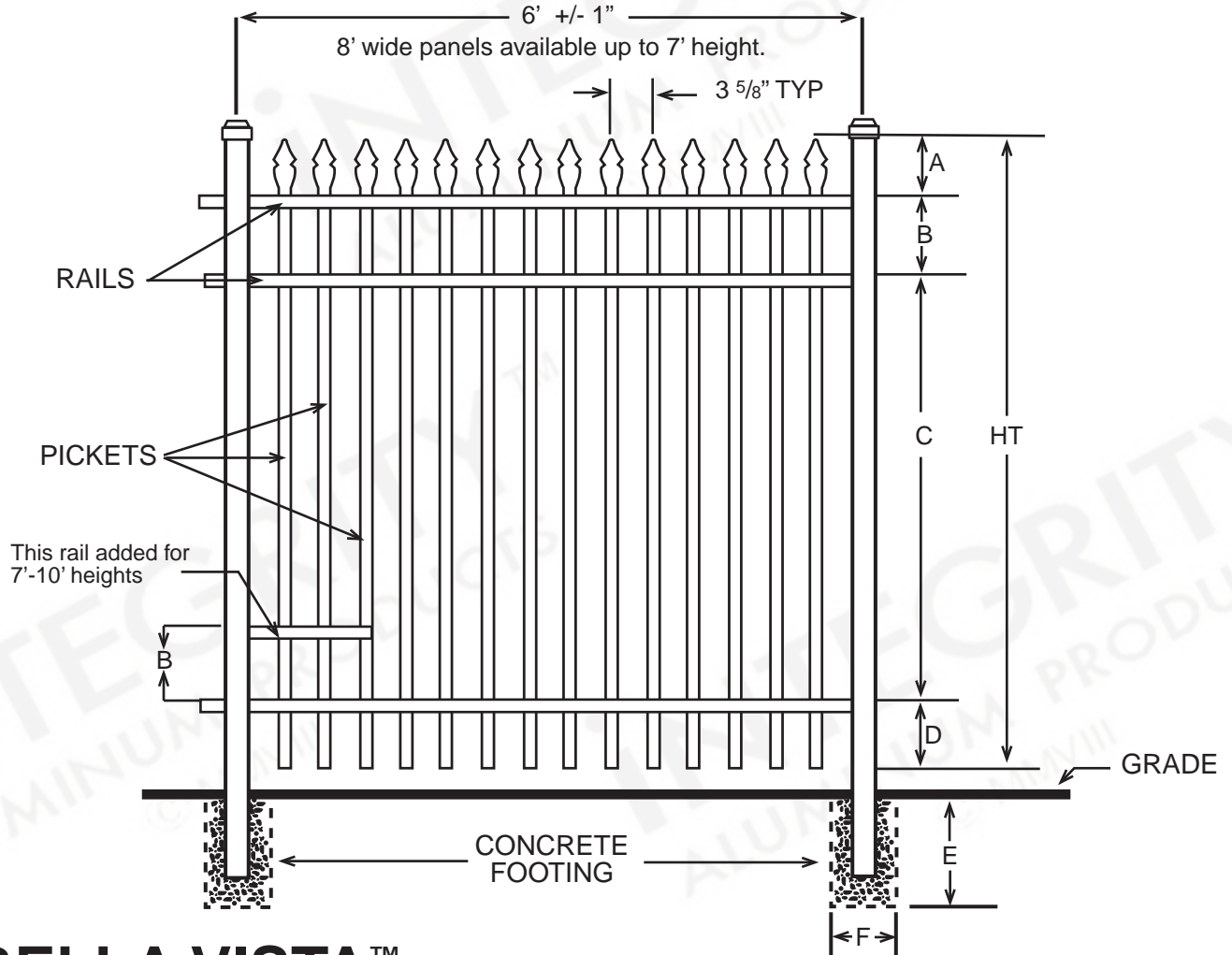
Posts Available	2 <sup>1</sup> / <sub>2</sub> " x 2 <sup>1</sup> / <sub>2</sub> " x .100 Wall 3" x 3" x .125 Wall 4" x 4" x .125 Wall
Horizontal Rails Side Walls Top Walls	1 <sup>5</sup> / <sub>8</sub> " x 1 <sup>5</sup> / <sub>8</sub> " .100" .070"
Pickets Picket Spacing	1" x 1" x .062 Wall 1 <sup>1</sup> / <sub>2</sub> "
Heights Available	3, 4, 5, 6, 7, 8, 9, & 10 Ft.
Widths Available	6 & 8 Ft.



# iNTEGRITY™

## ALUMINUM PRODUCTS

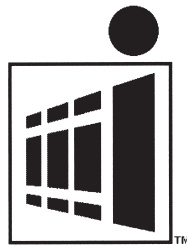
800.762.8876



## BELLA VISTA™ ULTIMATE

DIMENSIONS						
HT	A	B	C	D	E	F
3'	6 <sup>5</sup> / <sub>8</sub> "	7 <sup>5</sup> / <sub>8</sub> "	14 <sup>3</sup> / <sub>4</sub> "	7"	Per Local Code	
4'	6 <sup>5</sup> / <sub>8</sub> "	7 <sup>5</sup> / <sub>8</sub> "	26 <sup>3</sup> / <sub>4</sub> "	7"	Per Local Code	
5'	6 <sup>5</sup> / <sub>8</sub> "	7 <sup>5</sup> / <sub>8</sub> "	38 <sup>3</sup> / <sub>4</sub> "	7"	Per Local Code	
6'	6 <sup>5</sup> / <sub>8</sub> "	7 <sup>5</sup> / <sub>8</sub> "	50 <sup>3</sup> / <sub>4</sub> "	7"	Per Local Code	
7'	9 <sup>5</sup> / <sub>8</sub> "	10 <sup>5</sup> / <sub>8</sub> "	53 <sup>3</sup> / <sub>4</sub> "	10"	Per Local Code	
8'	9 <sup>5</sup> / <sub>8</sub> "	10 <sup>5</sup> / <sub>8</sub> "	65 <sup>3</sup> / <sub>4</sub> "	10"	Per Local Code	
9'	12 <sup>5</sup> / <sub>8</sub> "	13 <sup>5</sup> / <sub>8</sub> "	68 <sup>3</sup> / <sub>4</sub> "	13"	Per Local Code	
10'	12 <sup>5</sup> / <sub>8</sub> "	13 <sup>5</sup> / <sub>8</sub> "	80 <sup>3</sup> / <sub>4</sub> "	13"	Per Local Code	
All Dimensions Are Nominal						

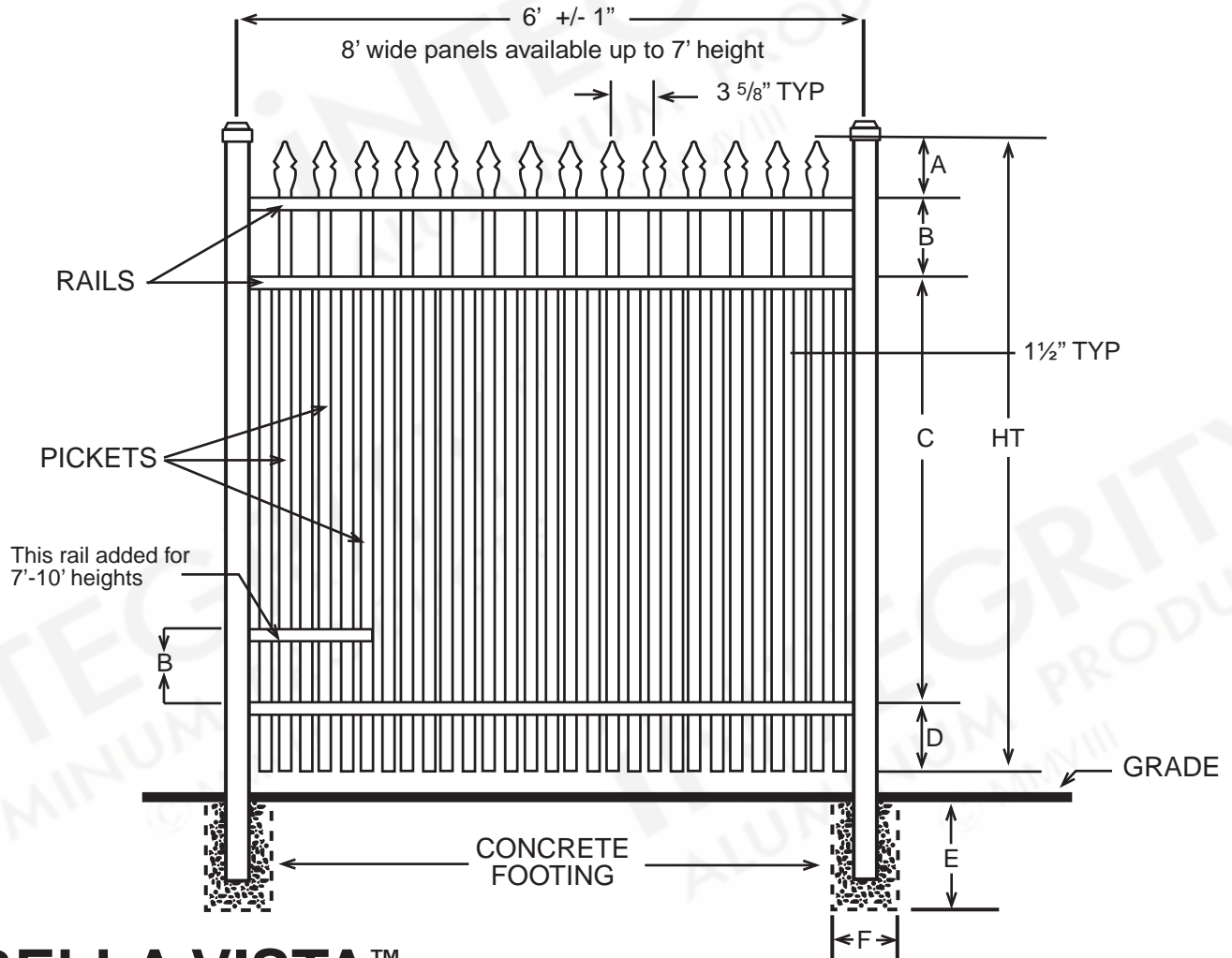
SPECIFICATIONS COMMERCIAL ULTIMATE	
Posts Available	2 <sup>1</sup> / <sub>2</sub> " x 2 <sup>1</sup> / <sub>2</sub> " x .100 Wall 3" x 3" x .125 Wall 4" x 4" x .125 Wall
Horizontal Rails Side Walls Top Walls	1 <sup>5</sup> / <sub>8</sub> " x 1 <sup>5</sup> / <sub>8</sub> " .100" .070"
Pickets Picket Spacing	1" x 1" x .062 Wall 3 <sup>5</sup> / <sub>8</sub> "
Heights Available	3, 4, 5, 6, 7, 8, 9, & 10 Ft.
Widths Available	6 & 8 Ft.



# INTEGRITY™

ALUMINUM PRODUCTS

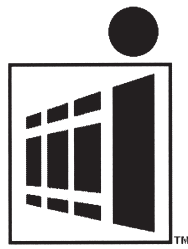
800.762.8876



## BELLA VISTA™ ULTIMATE EXTREME

DIMENSIONS						
HT	A	B	C	D	E	F
3'	6 <sup>5</sup> / <sub>8</sub> "	7 <sup>5</sup> / <sub>8</sub> "	14 <sup>3</sup> / <sub>4</sub> "	7"	Per Local Code	
4'	6 <sup>5</sup> / <sub>8</sub> "	7 <sup>5</sup> / <sub>8</sub> "	26 <sup>3</sup> / <sub>4</sub> "	7"	Per Local Code	
5'	6 <sup>5</sup> / <sub>8</sub> "	7 <sup>5</sup> / <sub>8</sub> "	38 <sup>3</sup> / <sub>4</sub> "	7"	Per Local Code	
6'	6 <sup>5</sup> / <sub>8</sub> "	7 <sup>5</sup> / <sub>8</sub> "	50 <sup>3</sup> / <sub>4</sub> "	7"	Per Local Code	
7'	9 <sup>5</sup> / <sub>8</sub> "	10 <sup>5</sup> / <sub>8</sub> "	53 <sup>3</sup> / <sub>4</sub> "	10"	Per Local Code	
8'	9 <sup>5</sup> / <sub>8</sub> "	10 <sup>5</sup> / <sub>8</sub> "	65 <sup>3</sup> / <sub>4</sub> "	10"	Per Local Code	
9'	12 <sup>5</sup> / <sub>8</sub> "	13 <sup>5</sup> / <sub>8</sub> "	68 <sup>3</sup> / <sub>4</sub> "	13"	Per Local Code	
10'	12 <sup>5</sup> / <sub>8</sub> "	13 <sup>5</sup> / <sub>8</sub> "	80 <sup>3</sup> / <sub>4</sub> "	13"	Per Local Code	
All Dimensions Are Nominal						

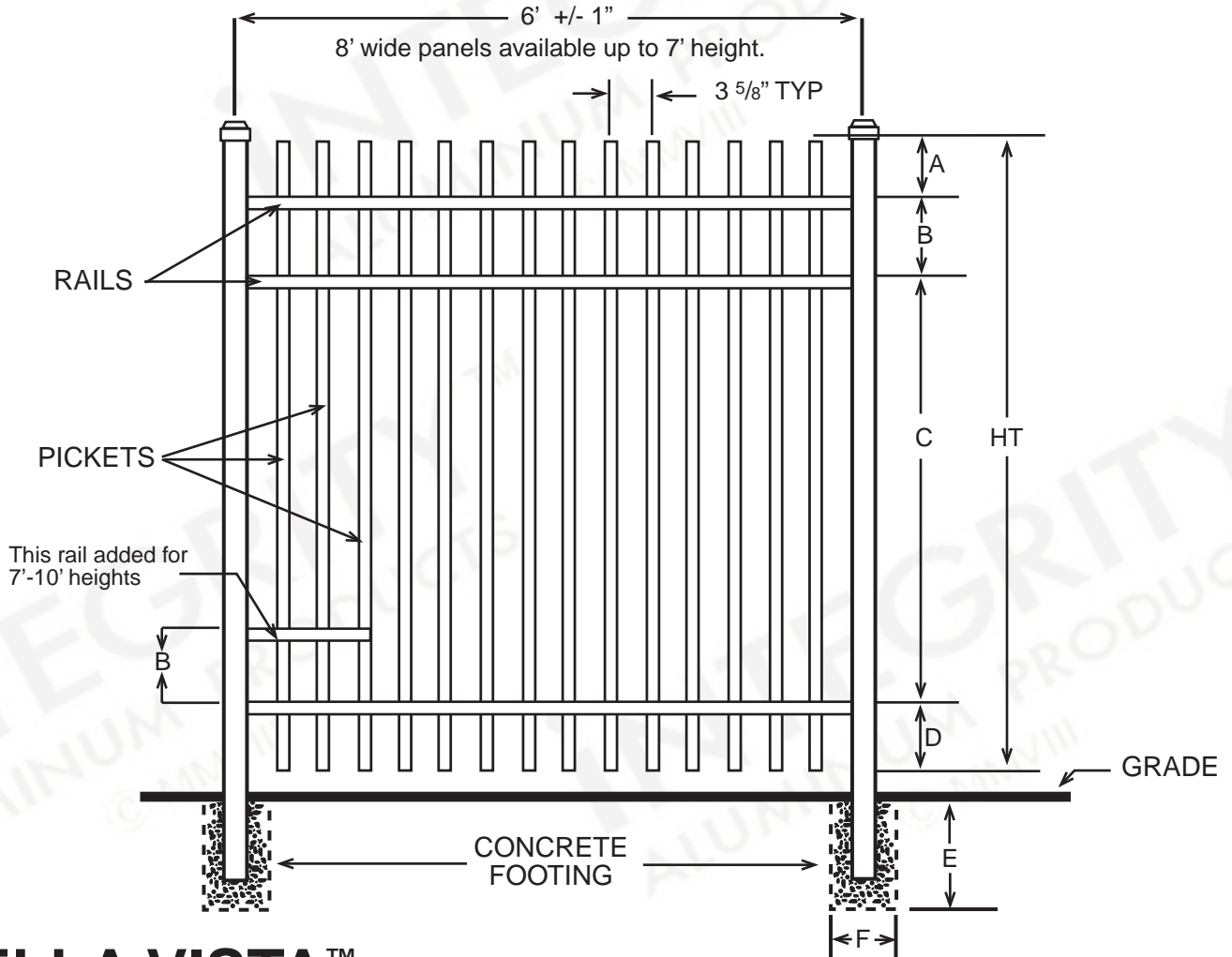
SPECIFICATIONS COMMERCIAL ULTIMATE	
Posts Available	2 <sup>1</sup> / <sub>2</sub> " x 2 <sup>1</sup> / <sub>2</sub> " x .100 Wall 3" x 3" x .125 Wall 4" x 4" x .125 Wall
Horizontal Rails Side Walls Top Walls	1 <sup>5</sup> / <sub>8</sub> " x 1 <sup>5</sup> / <sub>8</sub> " .100" .070"
Pickets Picket Spacing	1" x 1" x .062 Wall 1 <sup>1</sup> / <sub>2</sub> "
Heights Available	3, 4, 5, 6, 7, 8, 9, & 10 Ft.
Widths Available	6 & 8 Ft.



# INTEGRITY™

ALUMINUM PRODUCTS

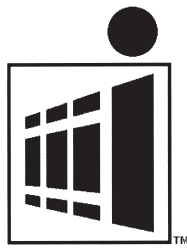
800.762.8876



## BELLA VISTA™ ULTIMATE NOUVEAU™

DIMENSIONS						
HT	A	B	C	D	E	F
3'	6 <sup>5</sup> / <sub>8</sub> "	7 <sup>5</sup> / <sub>8</sub> "	14 <sup>3</sup> / <sub>4</sub> "	7"	Per Local Code	
4'	6 <sup>5</sup> / <sub>8</sub> "	7 <sup>5</sup> / <sub>8</sub> "	26 <sup>3</sup> / <sub>4</sub> "	7"	Per Local Code	
5'	6 <sup>5</sup> / <sub>8</sub> "	7 <sup>5</sup> / <sub>8</sub> "	38 <sup>3</sup> / <sub>4</sub> "	7"	Per Local Code	
6'	6 <sup>5</sup> / <sub>8</sub> "	7 <sup>5</sup> / <sub>8</sub> "	50 <sup>3</sup> / <sub>4</sub> "	7"	Per Local Code	
7'	9 <sup>5</sup> / <sub>8</sub> "	10 <sup>5</sup> / <sub>8</sub> "	53 <sup>3</sup> / <sub>4</sub> "	10"	Per Local Code	
8'	9 <sup>5</sup> / <sub>8</sub> "	10 <sup>5</sup> / <sub>8</sub> "	65 <sup>3</sup> / <sub>4</sub> "	10"	Per Local Code	
9'	12 <sup>5</sup> / <sub>8</sub> "	13 <sup>5</sup> / <sub>8</sub> "	68 <sup>3</sup> / <sub>4</sub> "	13"	Per Local Code	
10'	12 <sup>5</sup> / <sub>8</sub> "	13 <sup>5</sup> / <sub>8</sub> "	80 <sup>3</sup> / <sub>4</sub> "	13"	Per Local Code	
All Dimensions Are Nominal						

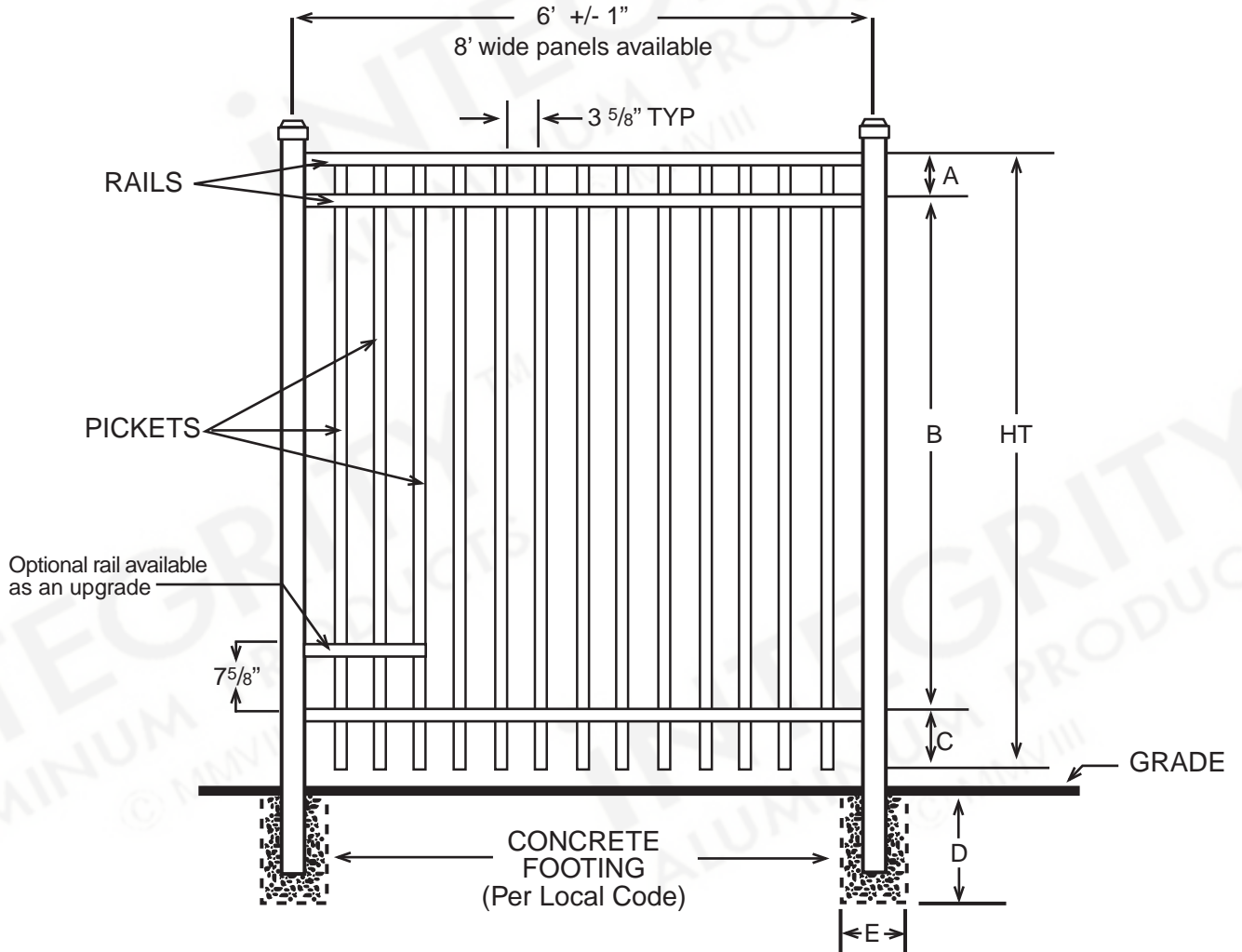
SPECIFICATIONS COMMERCIAL ULTIMATE	
Posts Available	2½" x 2½" x .100 Wall 3" x 3" x .125 Wall 4" x 4" x .125 Wall
Horizontal Rails Side Walls Top Walls	1½" x 1½" .100" .070"
Pickets Picket Spacing	1" x 1" x .062 Wall 3 <sup>5</sup> / <sub>8</sub> "
Heights Available	3, 4, 5, 6, 7, 8, 9, & 10 Ft.
Widths Available	6 & 8 Ft.



# INTEGRITY™

ALUMINUM PRODUCTS

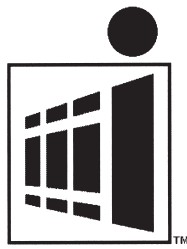
800.762.8876



## BOCA GRANDE™ ULTIMATE

DIMENSIONS					
HT	A	B	C	D	E
3'	3"	26"	7"	Per Local Code	
4'	3"	38"	7"	Per Local Code	
5'	3"	50"	7"	Per Local Code	
6'	3"	62"	7"	Per Local Code	
All Dimensions Are Nominal					

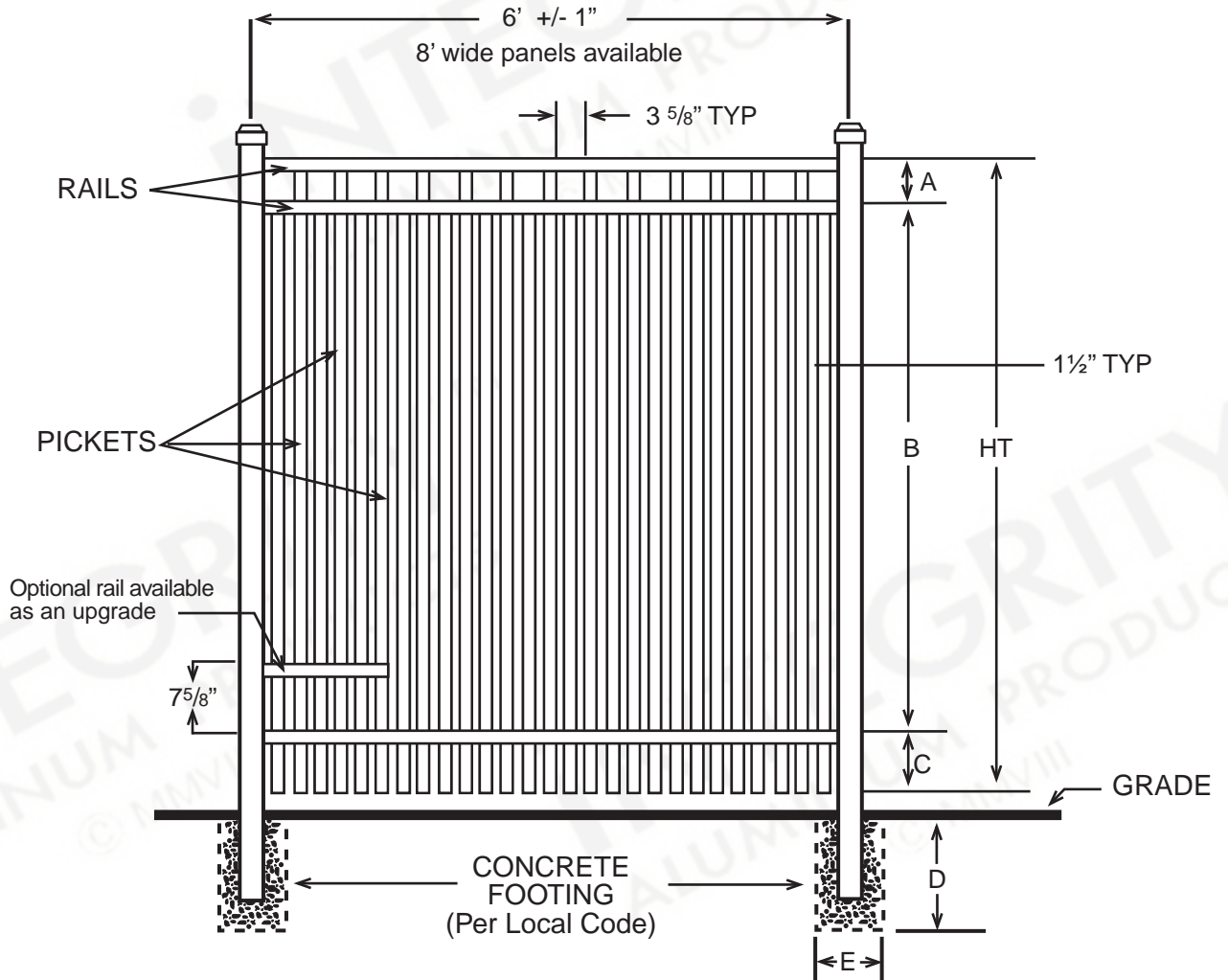
SPECIFICATIONS COMMERCIAL ULTIMATE	
Posts Available	2½" x 2½" x .100 Wall 3" x 3" x .125 Wall 4" x 4" x .125 Wall
Horizontal Rails Side Walls Top Walls	1⅝" x 1⅝" .100" .070"
Pickets Picket Spacing	1" x 1" x .062 Wall 3⅝"
Heights Available	3, 4, 5 & 6 Ft.
Widths Available	6 & 8 Ft.



# INTEGRITY™

ALUMINUM PRODUCTS

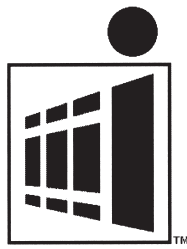
800.762.8876



## BOCA GRANDE™ ULTIMATE EXTREME

DIMENSIONS					
HT	A	B	C	D	E
3'	3"	26"	7"	Per Local Code	
4'	3"	38"	7"	Per Local Code	
5'	3"	50"	7"	Per Local Code	
6'	3"	62"	7"	Per Local Code	
All Dimensions Are Nominal					

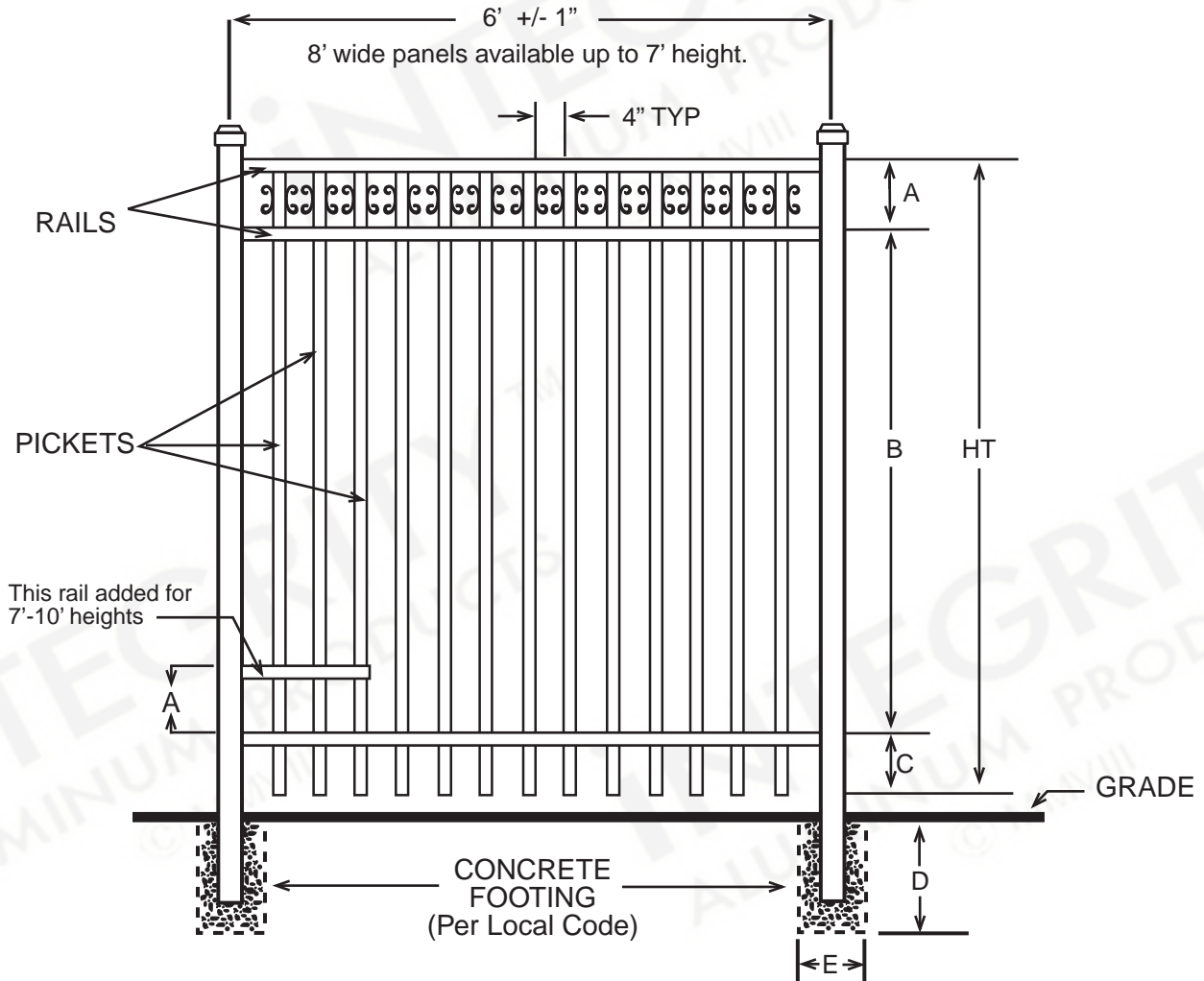
SPECIFICATIONS COMMERCIAL ULTIMATE	
Posts Available	2½" x 2½" x .100 Wall 3" x 3" x .125 Wall 4" x 4" x .125 Wall
Horizontal Rails Side Walls Top Walls	1⅝" x 1⅝" .100" .070"
Pickets Picket Spacing	1" x 1" x .062 Wall 1½"
Heights Available	3, 4, 5 & 6 Ft.
Widths Available	6 & 8 Ft.



# INTEGRITY™

## ALUMINUM PRODUCTS

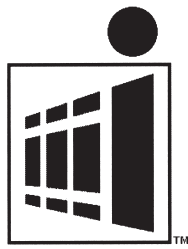
800.762.8876



## CAMARILLO™ ULTIMATE

DIMENSIONS					
HT	A	B	C	D	E
3'	7 <sup>5</sup> / <sub>8</sub> "	20 <sup>3</sup> / <sub>4</sub> "	7 <sup>5</sup> / <sub>8</sub> "	Per Local Code	
4'	7 <sup>5</sup> / <sub>8</sub> "	32 <sup>3</sup> / <sub>4</sub> "	7 <sup>5</sup> / <sub>8</sub> "	Per Local Code	
5'	7 <sup>5</sup> / <sub>8</sub> "	44 <sup>3</sup> / <sub>4</sub> "	7 <sup>5</sup> / <sub>8</sub> "	Per Local Code	
6'	7 <sup>5</sup> / <sub>8</sub> "	56 <sup>3</sup> / <sub>4</sub> "	7 <sup>5</sup> / <sub>8</sub> "	Per Local Code	
7'	10 <sup>5</sup> / <sub>8</sub> "	62 <sup>3</sup> / <sub>4</sub> "	10 <sup>5</sup> / <sub>8</sub> "	Per Local Code	
8'	10 <sup>5</sup> / <sub>8</sub> "	74 <sup>3</sup> / <sub>4</sub> "	10 <sup>5</sup> / <sub>8</sub> "	Per Local Code	
9'	13 <sup>5</sup> / <sub>8</sub> "	80 <sup>3</sup> / <sub>4</sub> "	13 <sup>5</sup> / <sub>8</sub> "	Per Local Code	
10'	13 <sup>5</sup> / <sub>8</sub> "	92 <sup>3</sup> / <sub>4</sub> "	13 <sup>5</sup> / <sub>8</sub> "	Per Local Code	
All Dimensions Are Nominal					

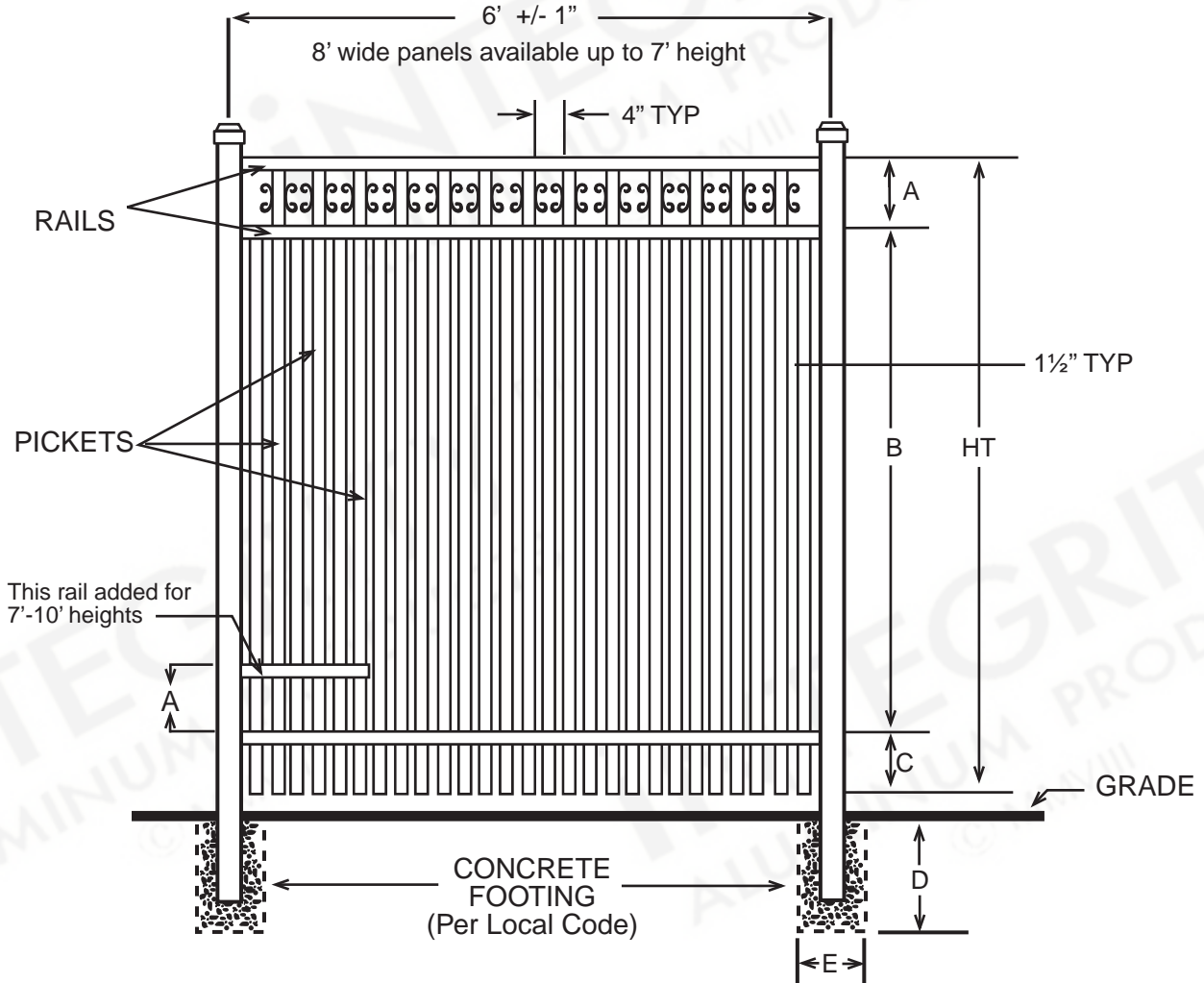
SPECIFICATIONS COMMERCIAL ULTIMATE	
Posts Available	2 <sup>1</sup> / <sub>2</sub> " x 2 <sup>1</sup> / <sub>2</sub> " x .100 Wall 3" x 3" x .125 Wall 4" x 4" x .125 Wall
Horizontal Rails Side Walls Top Walls	1 <sup>5</sup> / <sub>8</sub> " x 1 <sup>5</sup> / <sub>8</sub> " .100" .070"
Pickets Picket Spacing	1" x 1" x .062 Wall 4"
Heights Available	3, 4, 5, 6, 7, 8, 9, & 10 Ft.
Widths Available	6 & 8 Ft.



# INTEGRITY™

## ALUMINUM PRODUCTS

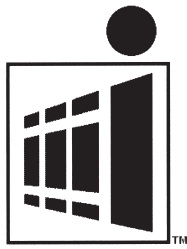
800.762.8876



## CAMARILLO™ ULTIMATE EXTREME

DIMENSIONS					
HT	A	B	C	D	E
3'	7 <sup>5</sup> / <sub>8</sub> "	20 <sup>3</sup> / <sub>4</sub> "	7 <sup>5</sup> / <sub>8</sub> "	Per Local Code	
4'	7 <sup>5</sup> / <sub>8</sub> "	32 <sup>3</sup> / <sub>4</sub> "	7 <sup>5</sup> / <sub>8</sub> "	Per Local Code	
5'	7 <sup>5</sup> / <sub>8</sub> "	44 <sup>3</sup> / <sub>4</sub> "	7 <sup>5</sup> / <sub>8</sub> "	Per Local Code	
6'	7 <sup>5</sup> / <sub>8</sub> "	56 <sup>3</sup> / <sub>4</sub> "	7 <sup>5</sup> / <sub>8</sub> "	Per Local Code	
7'	10 <sup>5</sup> / <sub>8</sub> "	62 <sup>3</sup> / <sub>4</sub> "	10 <sup>5</sup> / <sub>8</sub> "	Per Local Code	
8'	10 <sup>5</sup> / <sub>8</sub> "	74 <sup>3</sup> / <sub>4</sub> "	10 <sup>5</sup> / <sub>8</sub> "	Per Local Code	
9'	13 <sup>5</sup> / <sub>8</sub> "	80 <sup>3</sup> / <sub>4</sub> "	13 <sup>5</sup> / <sub>8</sub> "	Per Local Code	
10'	13 <sup>5</sup> / <sub>8</sub> "	92 <sup>3</sup> / <sub>4</sub> "	13 <sup>5</sup> / <sub>8</sub> "	Per Local Code	
All Dimensions Are Nominal					

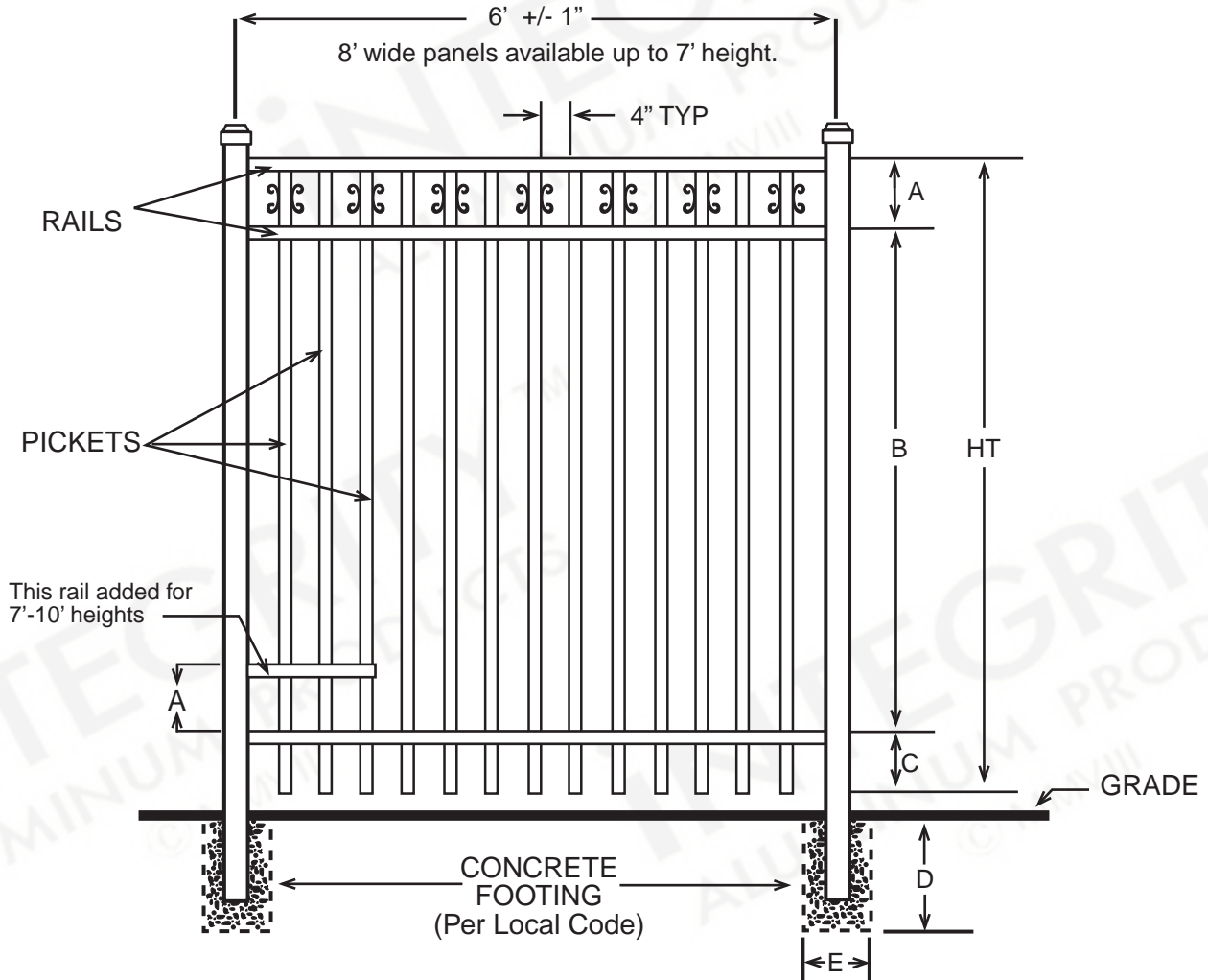
SPECIFICATIONS COMMERCIAL ULTIMATE	
Posts Available	2 <sup>1</sup> / <sub>2</sub> " x 2 <sup>1</sup> / <sub>2</sub> " x .100 Wall 3" x 3" x .125 Wall 4" x 4" x .125 Wall
Horizontal Rails Side Walls Top Walls	1 <sup>5</sup> / <sub>8</sub> " x 1 <sup>5</sup> / <sub>8</sub> " .100" .070"
Pickets Picket Spacing	1" x 1" x .062 Wall 1 <sup>1</sup> / <sub>2</sub> "
Heights Available	3, 4, 5, 6, 7, 8, 9, & 10 Ft.
Widths Available	6 & 8 Ft.



# INTEGRITY™

## ALUMINUM PRODUCTS

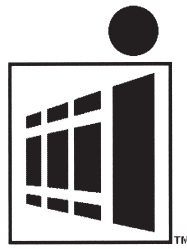
800.762.8876



## CAMARILLO LIGHT™ ULTIMATE

DIMENSIONS					
HT	A	B	C	D	E
3'	7 <sup>5</sup> / <sub>8</sub> "	20 <sup>3</sup> / <sub>4</sub> "	7 <sup>5</sup> / <sub>8</sub> "	Per Local Code	
4'	7 <sup>5</sup> / <sub>8</sub> "	32 <sup>3</sup> / <sub>4</sub> "	7 <sup>5</sup> / <sub>8</sub> "	Per Local Code	
5'	7 <sup>5</sup> / <sub>8</sub> "	44 <sup>3</sup> / <sub>4</sub> "	7 <sup>5</sup> / <sub>8</sub> "	Per Local Code	
6'	7 <sup>5</sup> / <sub>8</sub> "	56 <sup>3</sup> / <sub>4</sub> "	7 <sup>5</sup> / <sub>8</sub> "	Per Local Code	
7'	10 <sup>5</sup> / <sub>8</sub> "	62 <sup>3</sup> / <sub>4</sub> "	10 <sup>5</sup> / <sub>8</sub> "	Per Local Code	
8'	10 <sup>5</sup> / <sub>8</sub> "	74 <sup>3</sup> / <sub>4</sub> "	10 <sup>5</sup> / <sub>8</sub> "	Per Local Code	
9'	13 <sup>5</sup> / <sub>8</sub> "	80 <sup>3</sup> / <sub>4</sub> "	13 <sup>5</sup> / <sub>8</sub> "	Per Local Code	
10'	13 <sup>5</sup> / <sub>8</sub> "	92 <sup>3</sup> / <sub>4</sub> "	13 <sup>5</sup> / <sub>8</sub> "	Per Local Code	
All Dimensions Are Nominal					

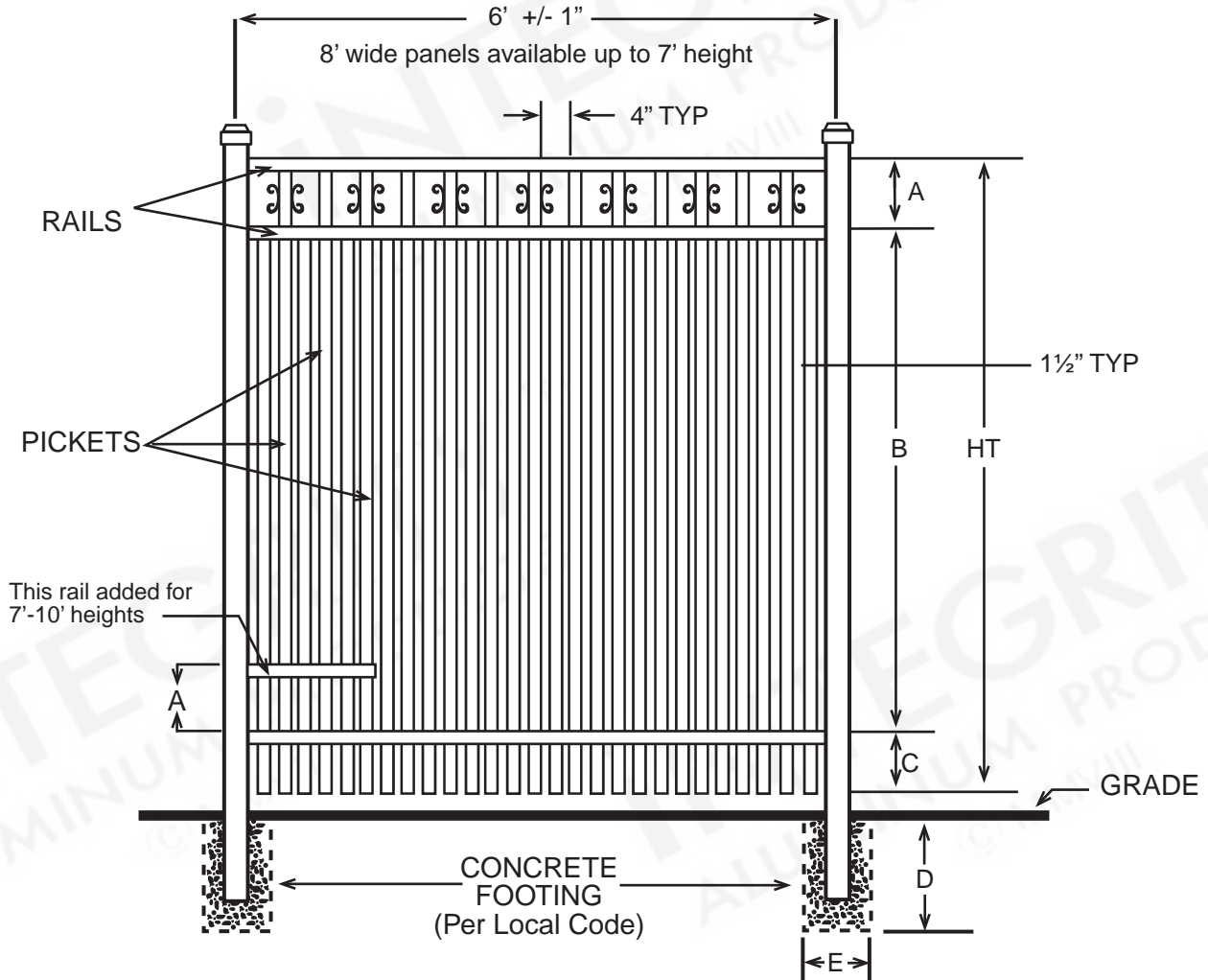
SPECIFICATIONS COMMERCIAL ULTIMATE	
Posts Available	2 <sup>1</sup> / <sub>2</sub> " x 2 <sup>1</sup> / <sub>2</sub> " x .100 Wall 3" x 3" x .125 Wall 4" x 4" x .125 Wall
Horizontal Rails Side Walls Top Walls	1 <sup>5</sup> / <sub>8</sub> " x 1 <sup>5</sup> / <sub>8</sub> " .100" .070"
Pickets Picket Spacing	1" x 1" x .062 Wall 4"
Heights Available	3, 4, 5, 6, 7, 8, 9, & 10 Ft.
Widths Available	6 & 8 Ft.



# INTEGRITY™

## ALUMINUM PRODUCTS

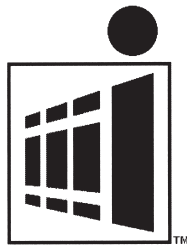
800.762.8876



## CAMARILLO LIGHT™ ULTIMATE EXTREME

DIMENSIONS					
HT	A	B	C	D	E
3'	7 <sup>5</sup> / <sub>8</sub> "	20 <sup>3</sup> / <sub>4</sub> "	7 <sup>5</sup> / <sub>8</sub> "	Per Local Code	
4'	7 <sup>5</sup> / <sub>8</sub> "	32 <sup>3</sup> / <sub>4</sub> "	7 <sup>5</sup> / <sub>8</sub> "	Per Local Code	
5'	7 <sup>5</sup> / <sub>8</sub> "	44 <sup>3</sup> / <sub>4</sub> "	7 <sup>5</sup> / <sub>8</sub> "	Per Local Code	
6'	7 <sup>5</sup> / <sub>8</sub> "	56 <sup>3</sup> / <sub>4</sub> "	7 <sup>5</sup> / <sub>8</sub> "	Per Local Code	
7'	10 <sup>5</sup> / <sub>8</sub> "	62 <sup>3</sup> / <sub>4</sub> "	10 <sup>5</sup> / <sub>8</sub> "	Per Local Code	
8'	10 <sup>5</sup> / <sub>8</sub> "	74 <sup>3</sup> / <sub>4</sub> "	10 <sup>5</sup> / <sub>8</sub> "	Per Local Code	
9'	13 <sup>5</sup> / <sub>8</sub> "	80 <sup>3</sup> / <sub>4</sub> "	13 <sup>5</sup> / <sub>8</sub> "	Per Local Code	
10'	13 <sup>5</sup> / <sub>8</sub> "	92 <sup>3</sup> / <sub>4</sub> "	13 <sup>5</sup> / <sub>8</sub> "	Per Local Code	
All Dimensions Are Nominal					

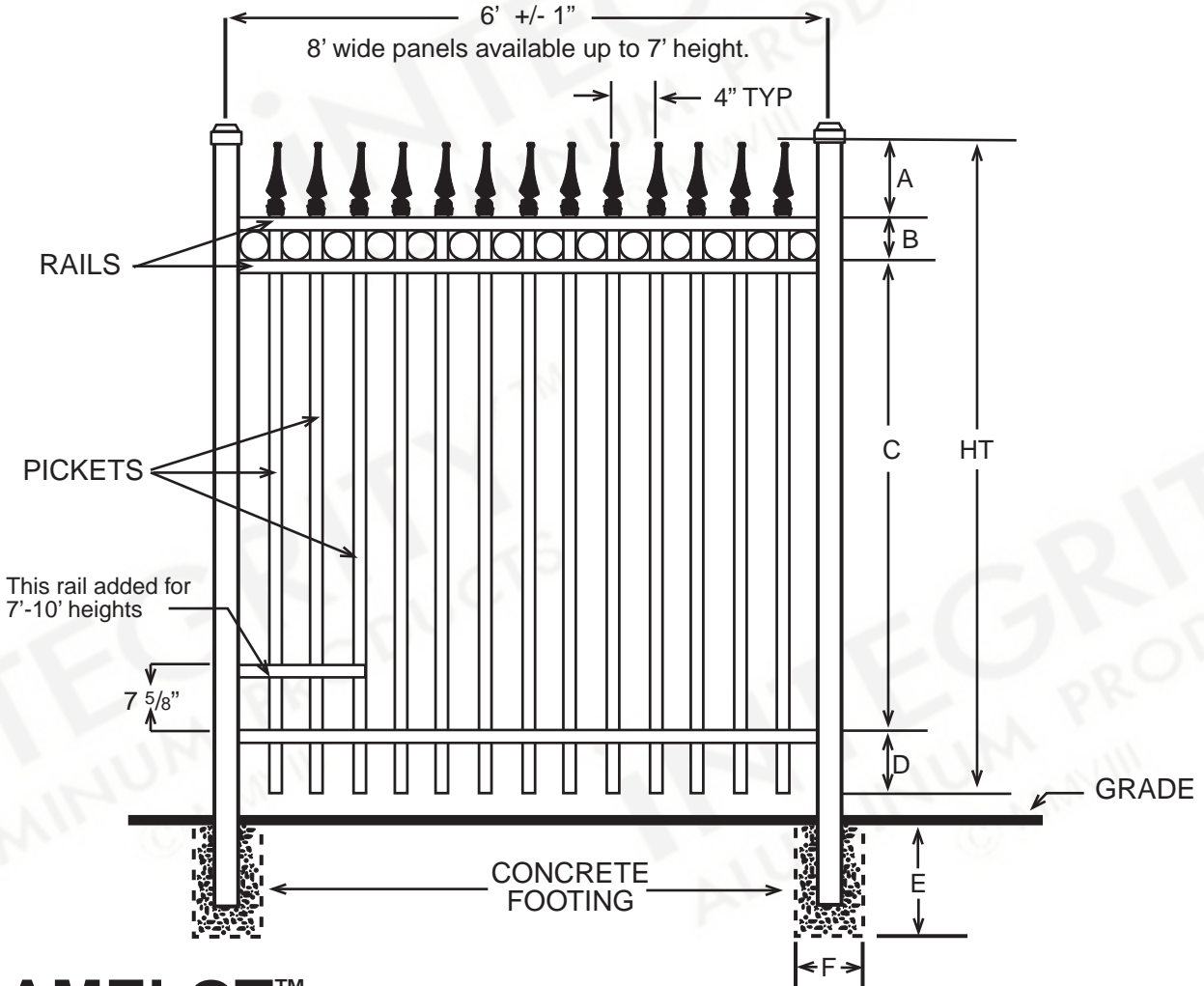
SPECIFICATIONS COMMERCIAL ULTIMATE	
Posts Available	2 <sup>1</sup> / <sub>2</sub> " x 2 <sup>1</sup> / <sub>2</sub> " x .100 Wall 3" x 3" x .125 Wall 4" x 4" x .125 Wall
Horizontal Rails Side Walls Top Walls	1 <sup>5</sup> / <sub>8</sub> " x 1 <sup>5</sup> / <sub>8</sub> " .100" .070"
Pickets Picket Spacing	1" x 1" x .062 Wall 1 <sup>1</sup> / <sub>2</sub> "
Heights Available	3, 4, 5, 6, 7, 8, 9, & 10 Ft.
Widths Available	6 & 8 Ft.



# INTEGRITY™

## ALUMINUM PRODUCTS

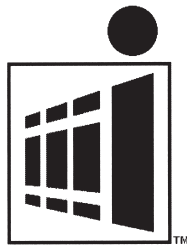
800.762.8876



## CAMELOT™ ULTIMATE

DIMENSIONS						
HT	A	B	C	D	E	F
3'	6 <sup>5</sup> / <sub>8</sub> "	5 <sup>5</sup> / <sub>8</sub> "	16 <sup>3</sup> / <sub>4</sub> "	7"	Per Local Code	
4'	6 <sup>5</sup> / <sub>8</sub> "	5 <sup>5</sup> / <sub>8</sub> "	28 <sup>3</sup> / <sub>4</sub> "	7"	Per Local Code	
5'	6 <sup>5</sup> / <sub>8</sub> "	5 <sup>5</sup> / <sub>8</sub> "	40 <sup>3</sup> / <sub>4</sub> "	7"	Per Local Code	
6'	6 <sup>5</sup> / <sub>8</sub> "	5 <sup>5</sup> / <sub>8</sub> "	52 <sup>3</sup> / <sub>4</sub> "	7"	Per Local Code	
7'	9 <sup>5</sup> / <sub>8</sub> "	5 <sup>5</sup> / <sub>8</sub> "	58 <sup>3</sup> / <sub>4</sub> "	10"	Per Local Code	
8'	9 <sup>5</sup> / <sub>8</sub> "	5 <sup>5</sup> / <sub>8</sub> "	70 <sup>3</sup> / <sub>4</sub> "	10"	Per Local Code	
9'	12 <sup>5</sup> / <sub>8</sub> "	5 <sup>5</sup> / <sub>8</sub> "	76 <sup>3</sup> / <sub>4</sub> "	13"	Per Local Code	
10'	12 <sup>5</sup> / <sub>8</sub> "	5 <sup>5</sup> / <sub>8</sub> "	88 <sup>3</sup> / <sub>4</sub> "	13"	Per Local Code	
All Dimensions Are Nominal						

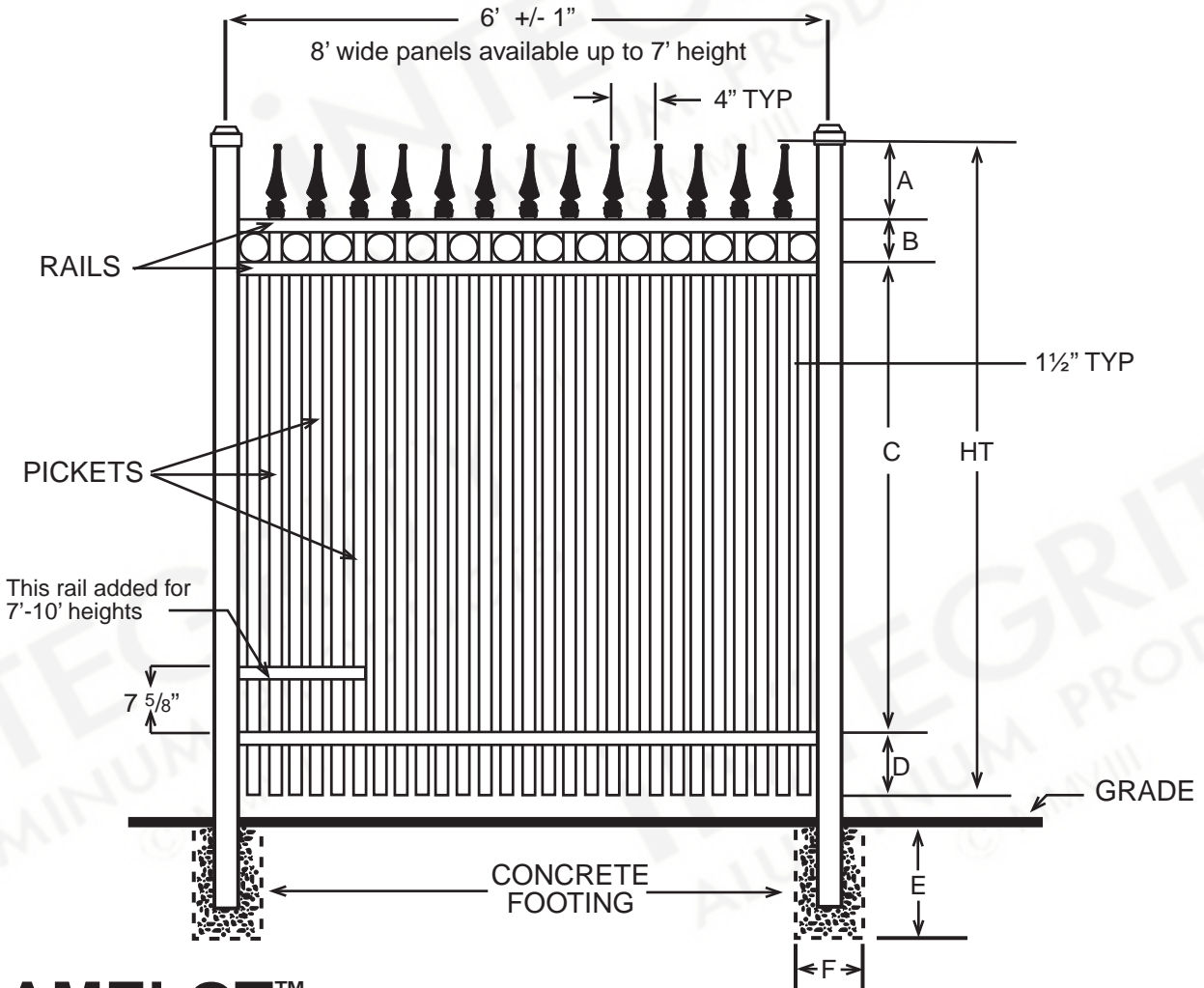
SPECIFICATIONS COMMERCIAL ULTIMATE	
Posts Available	2 <sup>1</sup> / <sub>2</sub> " x 2 <sup>1</sup> / <sub>2</sub> " x .100 Wall 3" x 3" x .125 Wall 4" x 4" x .125 Wall
Horizontal Rails Side Walls Top Walls	1 <sup>5</sup> / <sub>8</sub> " x 1 <sup>5</sup> / <sub>8</sub> " .100" .070"
Pickets Picket Spacing	1" x 1" x .062 Wall 4"
Heights Available	3, 4, 5, 6, 7, 8, 9, & 10 Ft.
Widths Available	6 & 8 Ft.



# INTEGRITY™

## ALUMINUM PRODUCTS

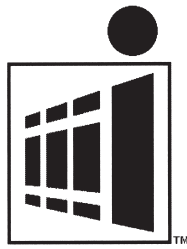
800.762.8876



## CAMELOT™ ULTIMATE EXTREME

DIMENSIONS						
HT	A	B	C	D	E	F
3'	6 <sup>5</sup> / <sub>8</sub> "	5 <sup>5</sup> / <sub>8</sub> "	16 <sup>3</sup> / <sub>4</sub> "	7"	Per Local Code	
4'	6 <sup>5</sup> / <sub>8</sub> "	5 <sup>5</sup> / <sub>8</sub> "	28 <sup>3</sup> / <sub>4</sub> "	7"	Per Local Code	
5'	6 <sup>5</sup> / <sub>8</sub> "	5 <sup>5</sup> / <sub>8</sub> "	40 <sup>3</sup> / <sub>4</sub> "	7"	Per Local Code	
6'	6 <sup>5</sup> / <sub>8</sub> "	5 <sup>5</sup> / <sub>8</sub> "	52 <sup>3</sup> / <sub>4</sub> "	7"	Per Local Code	
7'	9 <sup>5</sup> / <sub>8</sub> "	5 <sup>5</sup> / <sub>8</sub> "	58 <sup>3</sup> / <sub>4</sub> "	10"	Per Local Code	
8'	9 <sup>5</sup> / <sub>8</sub> "	5 <sup>5</sup> / <sub>8</sub> "	70 <sup>3</sup> / <sub>4</sub> "	10"	Per Local Code	
9'	12 <sup>5</sup> / <sub>8</sub> "	5 <sup>5</sup> / <sub>8</sub> "	76 <sup>3</sup> / <sub>4</sub> "	13"	Per Local Code	
10'	12 <sup>5</sup> / <sub>8</sub> "	5 <sup>5</sup> / <sub>8</sub> "	88 <sup>3</sup> / <sub>4</sub> "	13"	Per Local Code	
All Dimensions Are Nominal						

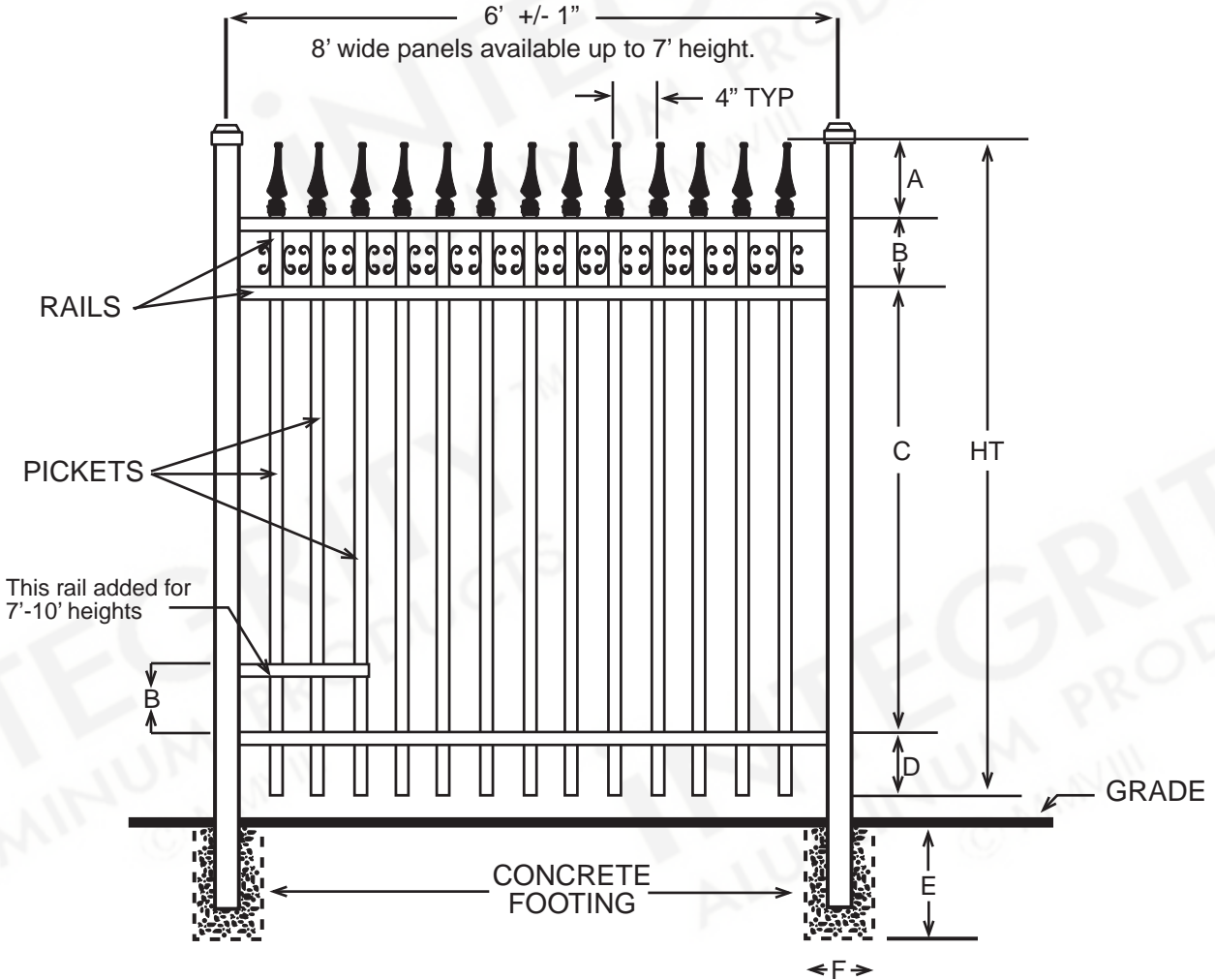
SPECIFICATIONS COMMERCIAL ULTIMATE	
Posts Available	2 <sup>1</sup> / <sub>2</sub> " x 2 <sup>1</sup> / <sub>2</sub> " x .100 Wall 3" x 3" x .125 Wall 4" x 4" x .125 Wall
Horizontal Rails Side Walls Top Walls	1 <sup>5</sup> / <sub>8</sub> " x 1 <sup>5</sup> / <sub>8</sub> " .100" .070"
Pickets Picket Spacing	1" x 1" x .062 Wall 1 <sup>1</sup> / <sub>2</sub> "
Heights Available	3, 4, 5, 6, 7, 8, 9, & 10 Ft.
Widths Available	6 & 8 Ft.



# INTEGRITY™

## ALUMINUM PRODUCTS

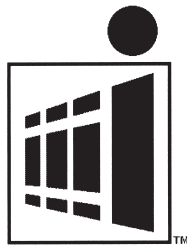
800.762.8876



## CASTILE™ ULTIMATE

DIMENSIONS						
HT	A	B	C	D	E	F
3'	6 <sup>5</sup> / <sub>8</sub> "	7 <sup>5</sup> / <sub>8</sub> "	14 <sup>3</sup> / <sub>4</sub> "	7"	Per Local Code	
4'	6 <sup>5</sup> / <sub>8</sub> "	7 <sup>5</sup> / <sub>8</sub> "	26 <sup>3</sup> / <sub>4</sub> "	7"	Per Local Code	
5'	6 <sup>5</sup> / <sub>8</sub> "	7 <sup>5</sup> / <sub>8</sub> "	38 <sup>3</sup> / <sub>4</sub> "	7"	Per Local Code	
6'	6 <sup>5</sup> / <sub>8</sub> "	7 <sup>5</sup> / <sub>8</sub> "	50 <sup>3</sup> / <sub>4</sub> "	7"	Per Local Code	
7'	9 <sup>5</sup> / <sub>8</sub> "	10 <sup>5</sup> / <sub>8</sub> "	53 <sup>3</sup> / <sub>4</sub> "	10"	Per Local Code	
8'	9 <sup>5</sup> / <sub>8</sub> "	10 <sup>5</sup> / <sub>8</sub> "	65 <sup>3</sup> / <sub>4</sub> "	10"	Per Local Code	
9'	12 <sup>5</sup> / <sub>8</sub> "	13 <sup>5</sup> / <sub>8</sub> "	68 <sup>3</sup> / <sub>4</sub> "	13"	Per Local Code	
10'	12 <sup>5</sup> / <sub>8</sub> "	13 <sup>5</sup> / <sub>8</sub> "	80 <sup>3</sup> / <sub>4</sub> "	13"	Per Local Code	
All Dimensions Are Nominal						

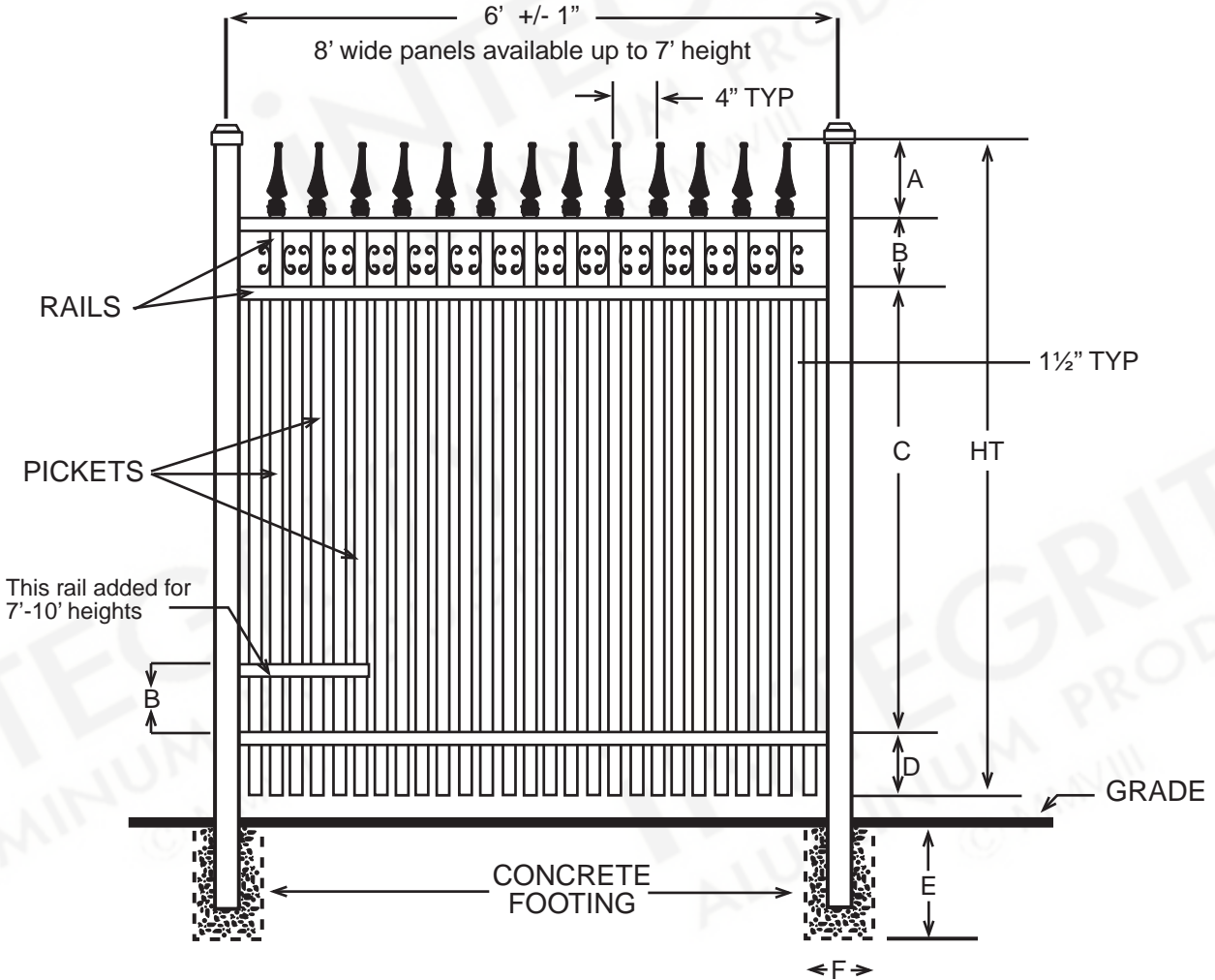
SPECIFICATIONS COMMERCIAL ULTIMATE	
Posts Available	2½" x 2½" x .100 Wall 3" x 3" x .125 Wall 4" x 4" x .125 Wall
Horizontal Rails Side Walls Top Walls	1 <sup>5</sup> / <sub>8</sub> " x 1 <sup>5</sup> / <sub>8</sub> " .100" .070"
Pickets Picket Spacing	1" x 1" x .062 Wall 4"
Heights Available	3, 4, 5, 6, 7, 8, 9, & 10 Ft.
Widths Available	6 & 8 Ft.



# INTEGRITY™

ALUMINUM PRODUCTS

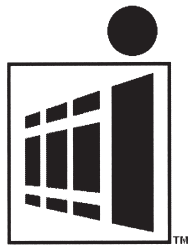
800.762.8876



## CASTILE™ ULTIMATE EXTREME

DIMENSIONS						
HT	A	B	C	D	E	F
3'	6 <sup>5</sup> / <sub>8</sub> "	7 <sup>5</sup> / <sub>8</sub> "	14 <sup>3</sup> / <sub>4</sub> "	7"	Per Local Code	
4'	6 <sup>5</sup> / <sub>8</sub> "	7 <sup>5</sup> / <sub>8</sub> "	26 <sup>3</sup> / <sub>4</sub> "	7"	Per Local Code	
5'	6 <sup>5</sup> / <sub>8</sub> "	7 <sup>5</sup> / <sub>8</sub> "	38 <sup>3</sup> / <sub>4</sub> "	7"	Per Local Code	
6'	6 <sup>5</sup> / <sub>8</sub> "	7 <sup>5</sup> / <sub>8</sub> "	50 <sup>3</sup> / <sub>4</sub> "	7"	Per Local Code	
7'	9 <sup>5</sup> / <sub>8</sub> "	10 <sup>5</sup> / <sub>8</sub> "	53 <sup>3</sup> / <sub>4</sub> "	10"	Per Local Code	
8'	9 <sup>5</sup> / <sub>8</sub> "	10 <sup>5</sup> / <sub>8</sub> "	65 <sup>3</sup> / <sub>4</sub> "	10"	Per Local Code	
9'	12 <sup>5</sup> / <sub>8</sub> "	13 <sup>5</sup> / <sub>8</sub> "	68 <sup>3</sup> / <sub>4</sub> "	13"	Per Local Code	
10'	12 <sup>5</sup> / <sub>8</sub> "	13 <sup>5</sup> / <sub>8</sub> "	80 <sup>3</sup> / <sub>4</sub> "	13"	Per Local Code	
All Dimensions Are Nominal						

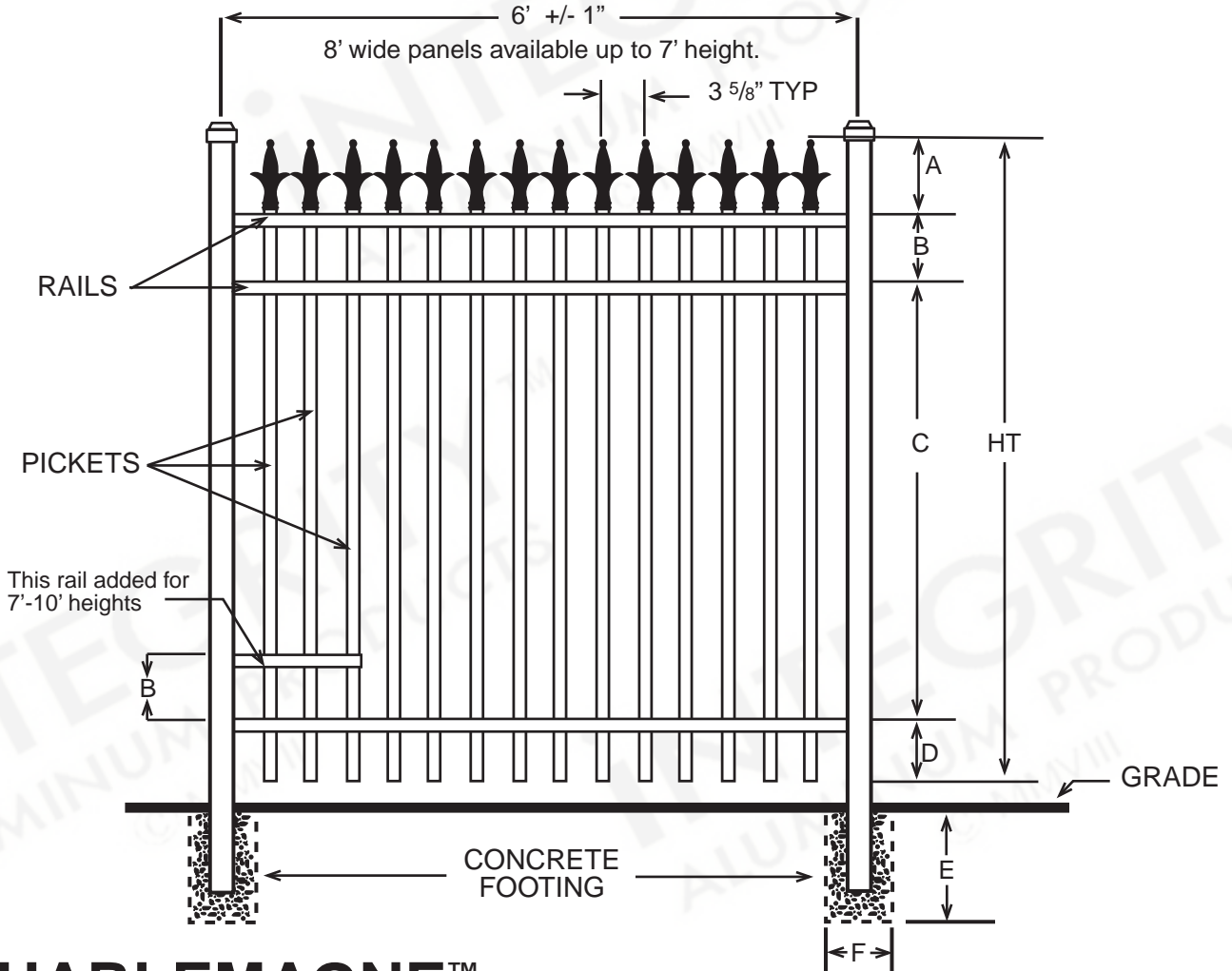
SPECIFICATIONS COMMERCIAL ULTIMATE	
Posts Available	2 <sup>1</sup> / <sub>2</sub> " x 2 <sup>1</sup> / <sub>2</sub> " x .100 Wall 3" x 3" x .125 Wall 4" x 4" x .125 Wall
Horizontal Rails Side Walls Top Walls	1 <sup>5</sup> / <sub>8</sub> " x 1 <sup>5</sup> / <sub>8</sub> " .100" .070"
Pickets Picket Spacing	1" x 1" x .062 Wall 1 <sup>1</sup> / <sub>2</sub> "
Heights Available	3, 4, 5, 6, 7, 8, 9, & 10 Ft.
Widths Available	6 & 8 Ft.



# INTEGRITY™

ALUMINUM PRODUCTS

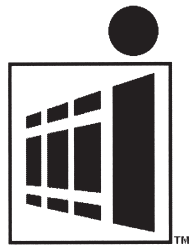
800.762.8876



## CHARLEMAGNE™ ULTIMATE

DIMENSIONS						
HT	A	B	C	D	E	F
3'	6 <sup>5</sup> / <sub>8</sub> "	7 <sup>5</sup> / <sub>8</sub> "	14 <sup>3</sup> / <sub>4</sub> "	7"	Per Local Code	
4'	6 <sup>5</sup> / <sub>8</sub> "	7 <sup>5</sup> / <sub>8</sub> "	26 <sup>3</sup> / <sub>4</sub> "	7"	Per Local Code	
5'	6 <sup>5</sup> / <sub>8</sub> "	7 <sup>5</sup> / <sub>8</sub> "	38 <sup>3</sup> / <sub>4</sub> "	7"	Per Local Code	
6'	6 <sup>5</sup> / <sub>8</sub> "	7 <sup>5</sup> / <sub>8</sub> "	50 <sup>3</sup> / <sub>4</sub> "	7"	Per Local Code	
7'	9 <sup>5</sup> / <sub>8</sub> "	10 <sup>5</sup> / <sub>8</sub> "	53 <sup>3</sup> / <sub>4</sub> "	10"	Per Local Code	
8'	9 <sup>5</sup> / <sub>8</sub> "	10 <sup>5</sup> / <sub>8</sub> "	65 <sup>3</sup> / <sub>4</sub> "	10"	Per Local Code	
9'	12 <sup>5</sup> / <sub>8</sub> "	13 <sup>5</sup> / <sub>8</sub> "	68 <sup>3</sup> / <sub>4</sub> "	13"	Per Local Code	
10'	12 <sup>5</sup> / <sub>8</sub> "	13 <sup>5</sup> / <sub>8</sub> "	80 <sup>3</sup> / <sub>4</sub> "	13"	Per Local Code	
All Dimensions Are Nominal						

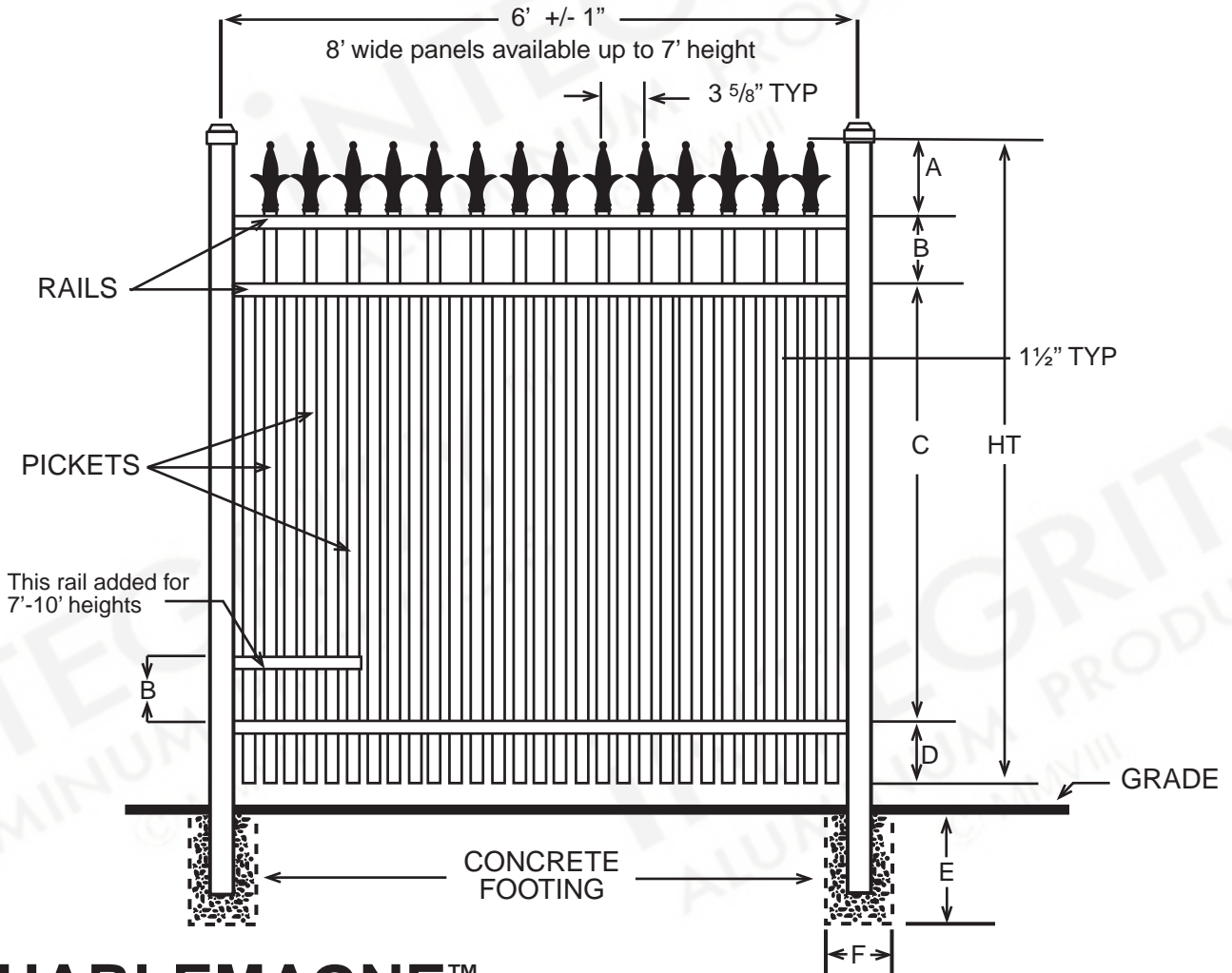
SPECIFICATIONS COMMERCIAL ULTIMATE	
Posts Available	2 <sup>1</sup> / <sub>2</sub> " x 2 <sup>1</sup> / <sub>2</sub> " x .100 Wall 3" x 3" x .125 Wall 4" x 4" x .125 Wall
Horizontal Rails Side Walls Top Walls	1 <sup>5</sup> / <sub>8</sub> " x 1 <sup>5</sup> / <sub>8</sub> " .100" .070"
Pickets Picket Spacing	1" x 1" x .062 Wall 3 <sup>5</sup> / <sub>8</sub> "
Heights Available	3, 4, 5, 6, 7, 8, 9, & 10 Ft.
Widths Available	6 & 8 Ft.



# INTEGRITY™

ALUMINUM PRODUCTS

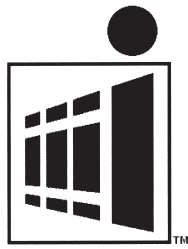
800.762.8876



## CHARLEMAGNE™ ULTIMATE EXTREME

DIMENSIONS						
HT	A	B	C	D	E	F
3'	6 <sup>5</sup> / <sub>8</sub> "	7 <sup>5</sup> / <sub>8</sub> "	14 <sup>3</sup> / <sub>4</sub> "	7"	Per Local Code	
4'	6 <sup>5</sup> / <sub>8</sub> "	7 <sup>5</sup> / <sub>8</sub> "	26 <sup>3</sup> / <sub>4</sub> "	7"	Per Local Code	
5'	6 <sup>5</sup> / <sub>8</sub> "	7 <sup>5</sup> / <sub>8</sub> "	38 <sup>3</sup> / <sub>4</sub> "	7"	Per Local Code	
6'	6 <sup>5</sup> / <sub>8</sub> "	7 <sup>5</sup> / <sub>8</sub> "	50 <sup>3</sup> / <sub>4</sub> "	7"	Per Local Code	
7'	9 <sup>5</sup> / <sub>8</sub> "	10 <sup>5</sup> / <sub>8</sub> "	53 <sup>3</sup> / <sub>4</sub> "	10"	Per Local Code	
8'	9 <sup>5</sup> / <sub>8</sub> "	10 <sup>5</sup> / <sub>8</sub> "	65 <sup>3</sup> / <sub>4</sub> "	10"	Per Local Code	
9'	12 <sup>5</sup> / <sub>8</sub> "	13 <sup>5</sup> / <sub>8</sub> "	68 <sup>3</sup> / <sub>4</sub> "	13"	Per Local Code	
10'	12 <sup>5</sup> / <sub>8</sub> "	13 <sup>5</sup> / <sub>8</sub> "	80 <sup>3</sup> / <sub>4</sub> "	13"	Per Local Code	
All Dimensions Are Nominal						

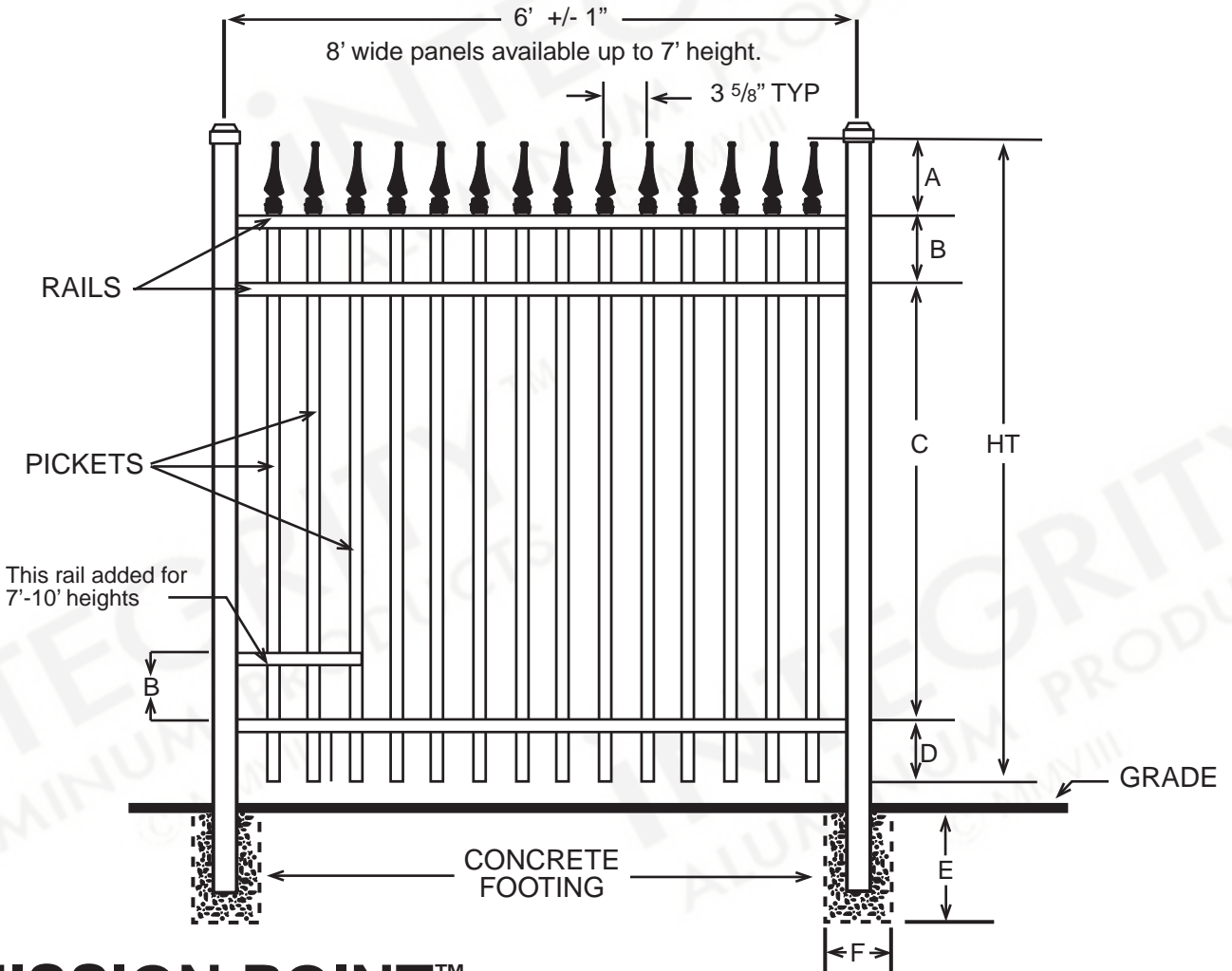
SPECIFICATIONS COMMERCIAL ULTIMATE	
Posts Available	2 <sup>1</sup> / <sub>2</sub> " x 2 <sup>1</sup> / <sub>2</sub> " x .100 Wall 3" x 3" x .125 Wall 4" x 4" x .125 Wall
Horizontal Rails Side Walls Top Walls	1 <sup>5</sup> / <sub>8</sub> " x 1 <sup>5</sup> / <sub>8</sub> " .100" .070"
Pickets Picket Spacing	1" x 1" x .062 Wall 1 <sup>1</sup> / <sub>2</sub> "
Heights Available	3, 4, 5, 6, 7, 8, 9, & 10 Ft.
Widths Available	6 & 8 Ft.



# INTEGRITY™

ALUMINUM PRODUCTS

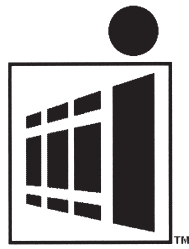
800.762.8876



## MISSION POINT™ ULTIMATE

DIMENSIONS						
HT	A	B	C	D	E	F
3'	6 <sup>5</sup> / <sub>8</sub> "	7 <sup>5</sup> / <sub>8</sub> "	14 <sup>3</sup> / <sub>4</sub> "	7"	Per Local Code	
4'	6 <sup>5</sup> / <sub>8</sub> "	7 <sup>5</sup> / <sub>8</sub> "	26 <sup>3</sup> / <sub>4</sub> "	7"	Per Local Code	
5'	6 <sup>5</sup> / <sub>8</sub> "	7 <sup>5</sup> / <sub>8</sub> "	38 <sup>3</sup> / <sub>4</sub> "	7"	Per Local Code	
6'	6 <sup>5</sup> / <sub>8</sub> "	7 <sup>5</sup> / <sub>8</sub> "	50 <sup>3</sup> / <sub>4</sub> "	7"	Per Local Code	
7'	9 <sup>5</sup> / <sub>8</sub> "	10 <sup>5</sup> / <sub>8</sub> "	53 <sup>3</sup> / <sub>4</sub> "	10"	Per Local Code	
8'	9 <sup>5</sup> / <sub>8</sub> "	10 <sup>5</sup> / <sub>8</sub> "	65 <sup>3</sup> / <sub>4</sub> "	10"	Per Local Code	
9'	12 <sup>5</sup> / <sub>8</sub> "	13 <sup>5</sup> / <sub>8</sub> "	68 <sup>3</sup> / <sub>4</sub> "	13"	Per Local Code	
10'	12 <sup>5</sup> / <sub>8</sub> "	13 <sup>5</sup> / <sub>8</sub> "	80 <sup>3</sup> / <sub>4</sub> "	13"	Per Local Code	
All Dimensions Are Nominal						

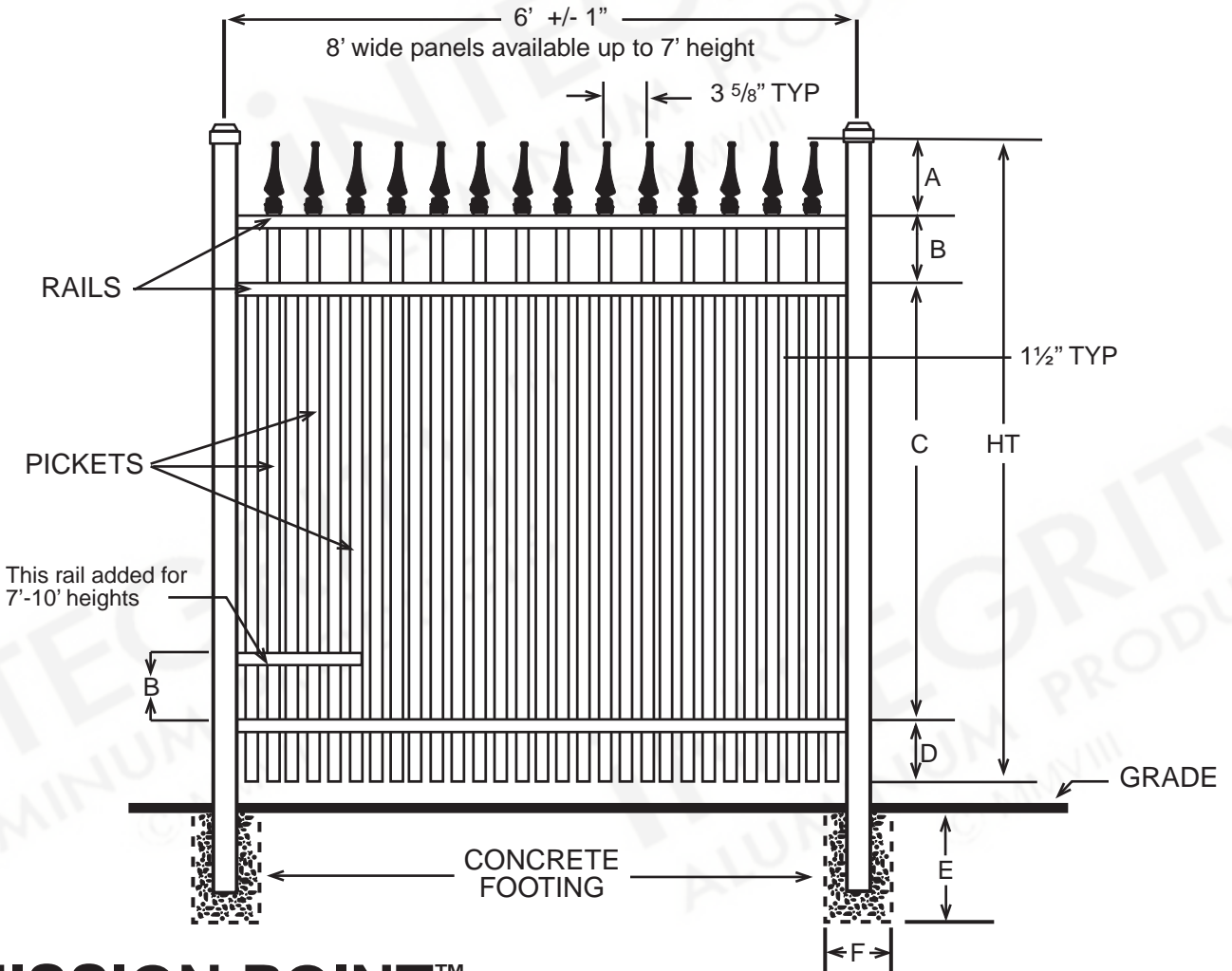
SPECIFICATIONS COMMERCIAL ULTIMATE	
Posts Available	2½" x 2½" x .100 Wall 3" x 3" x .125 Wall 4" x 4" x .125 Wall
Horizontal Rails Side Walls Top Walls	1 <sup>5</sup> / <sub>8</sub> " x 1 <sup>5</sup> / <sub>8</sub> " .100" .070"
Pickets Picket Spacing	1" x 1" x .062 Wall 3 <sup>5</sup> / <sub>8</sub> "
Heights Available	3, 4, 5, 6, 7, 8, 9, & 10 Ft.
Widths Available	6 & 8 Ft.



# INTEGRITY™

## ALUMINUM PRODUCTS

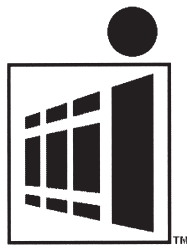
800.762.8876



## MISSION POINT™ ULTIMATE EXTREME

DIMENSIONS						
HT	A	B	C	D	E	F
3'	6 <sup>5</sup> / <sub>8</sub> "	7 <sup>5</sup> / <sub>8</sub> "	14 <sup>3</sup> / <sub>4</sub> "	7"	Per Local Code	
4'	6 <sup>5</sup> / <sub>8</sub> "	7 <sup>5</sup> / <sub>8</sub> "	26 <sup>3</sup> / <sub>4</sub> "	7"	Per Local Code	
5'	6 <sup>5</sup> / <sub>8</sub> "	7 <sup>5</sup> / <sub>8</sub> "	38 <sup>3</sup> / <sub>4</sub> "	7"	Per Local Code	
6'	6 <sup>5</sup> / <sub>8</sub> "	7 <sup>5</sup> / <sub>8</sub> "	50 <sup>3</sup> / <sub>4</sub> "	7"	Per Local Code	
7'	9 <sup>5</sup> / <sub>8</sub> "	10 <sup>5</sup> / <sub>8</sub> "	53 <sup>3</sup> / <sub>4</sub> "	10"	Per Local Code	
8'	9 <sup>5</sup> / <sub>8</sub> "	10 <sup>5</sup> / <sub>8</sub> "	65 <sup>3</sup> / <sub>4</sub> "	10"	Per Local Code	
9'	12 <sup>5</sup> / <sub>8</sub> "	13 <sup>5</sup> / <sub>8</sub> "	68 <sup>3</sup> / <sub>4</sub> "	13"	Per Local Code	
10'	12 <sup>5</sup> / <sub>8</sub> "	13 <sup>5</sup> / <sub>8</sub> "	80 <sup>3</sup> / <sub>4</sub> "	13"	Per Local Code	
All Dimensions Are Nominal						

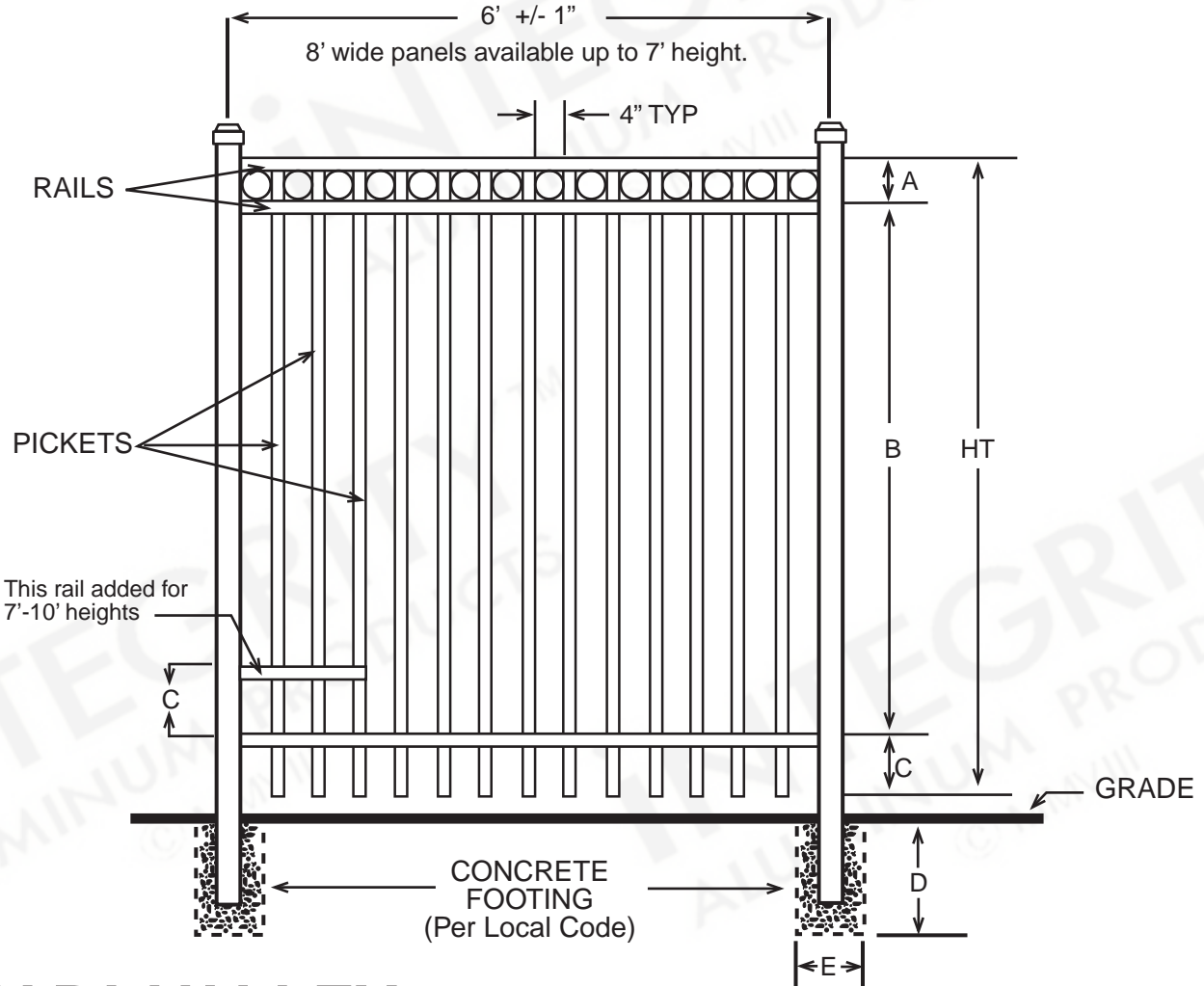
SPECIFICATIONS COMMERCIAL ULTIMATE	
Posts Available	2 <sup>1</sup> / <sub>2</sub> " x 2 <sup>1</sup> / <sub>2</sub> " x .100 Wall 3" x 3" x .125 Wall 4" x 4" x .125 Wall
Horizontal Rails Side Walls Top Walls	1 <sup>5</sup> / <sub>8</sub> " x 1 <sup>5</sup> / <sub>8</sub> " .100" .070"
Pickets Picket Spacing	1" x 1" x .062 Wall 1 <sup>1</sup> / <sub>2</sub> "
Heights Available	3, 4, 5, 6, 7, 8, 9, & 10 Ft.
Widths Available	6 & 8 Ft.



# iNTEGRITY™

## ALUMINUM PRODUCTS

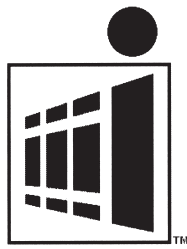
800.762.8876



## NAPA VALLEY™ ULTIMATE

DIMENSIONS					
HT	A	B	C	E	F
3'	5 <sup>5</sup> / <sub>8</sub> "	22 <sup>3</sup> / <sub>4</sub> "	7 <sup>5</sup> / <sub>8</sub> "	Per Local Code	
4'	5 <sup>5</sup> / <sub>8</sub> "	34 <sup>3</sup> / <sub>4</sub> "	7 <sup>5</sup> / <sub>8</sub> "	Per Local Code	
5'	5 <sup>5</sup> / <sub>8</sub> "	46 <sup>3</sup> / <sub>4</sub> "	7 <sup>5</sup> / <sub>8</sub> "	Per Local Code	
6'	5 <sup>5</sup> / <sub>8</sub> "	58 <sup>3</sup> / <sub>4</sub> "	7 <sup>5</sup> / <sub>8</sub> "	Per Local Code	
7'	5 <sup>5</sup> / <sub>8</sub> "	67 <sup>3</sup> / <sub>4</sub> "	10 <sup>5</sup> / <sub>8</sub> "	Per Local Code	
8'	5 <sup>5</sup> / <sub>8</sub> "	79 <sup>3</sup> / <sub>4</sub> "	10 <sup>5</sup> / <sub>8</sub> "	Per Local Code	
9'	5 <sup>5</sup> / <sub>8</sub> "	88 <sup>3</sup> / <sub>4</sub> "	13 <sup>5</sup> / <sub>8</sub> "	Per Local Code	
10'	5 <sup>5</sup> / <sub>8</sub> "	100 <sup>3</sup> / <sub>4</sub> "	13 <sup>5</sup> / <sub>8</sub> "	Per Local Code	
All Dimensions Are Nominal					

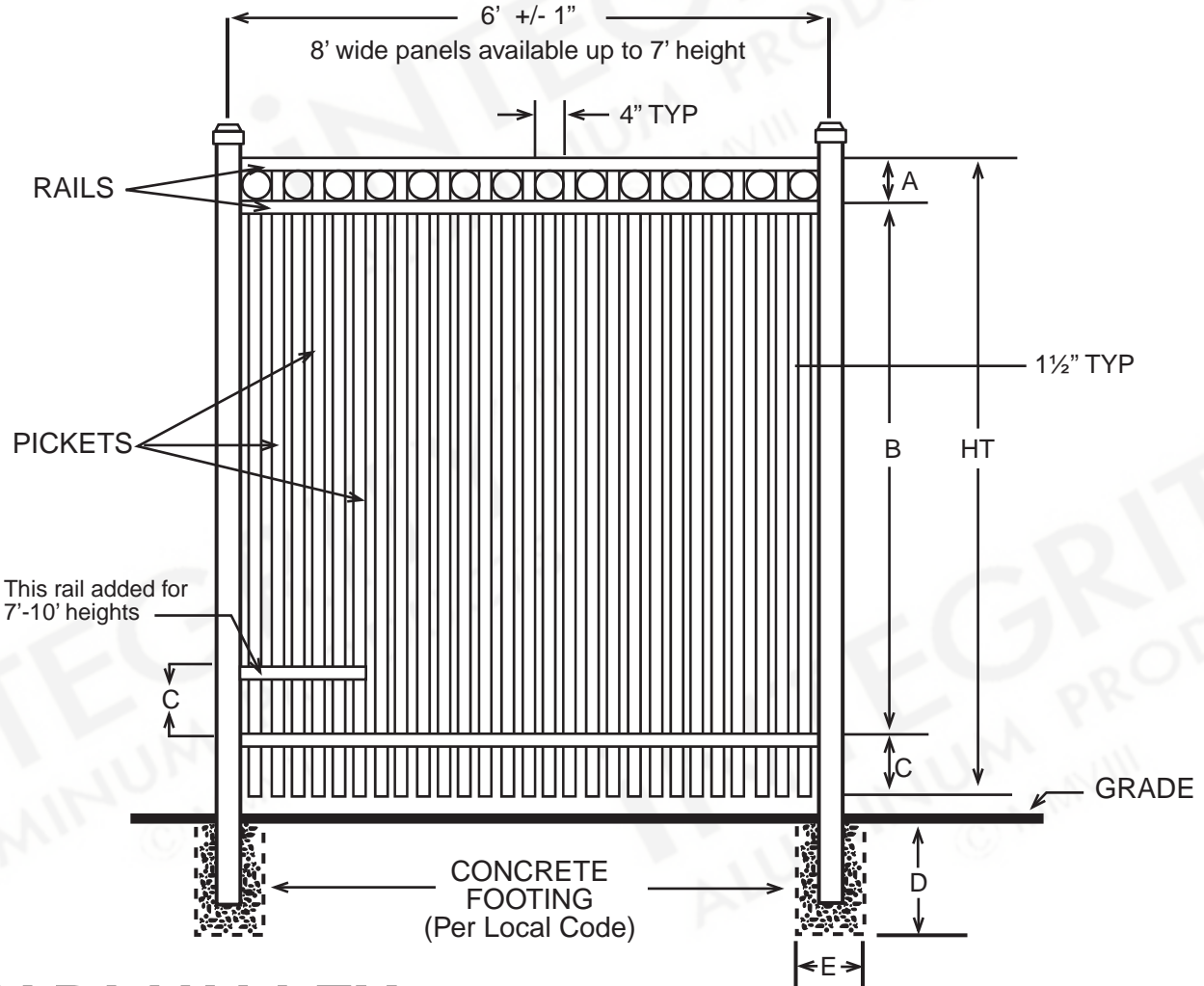
SPECIFICATIONS COMMERCIAL ULTIMATE	
Posts Available	2 <sup>1</sup> / <sub>2</sub> " x 2 <sup>1</sup> / <sub>2</sub> " x .100 Wall 3" x 3" x .125 Wall 4" x 4" x .125 Wall
Horizontal Rails Side Walls Top Walls	1 <sup>5</sup> / <sub>8</sub> " x 1 <sup>5</sup> / <sub>8</sub> " .100" .070"
Pickets Picket Spacing	1" x 1" x .062 Wall 4"
Heights Available	3, 4, 5, 6, 7, 8, 9, & 10 Ft.
Widths Available	6 & 8 Ft.



# iNTEGRITY™

## ALUMINUM PRODUCTS

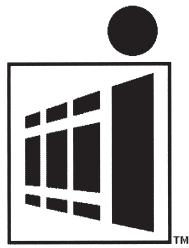
800.762.8876



## NAPA VALLEY™ ULTIMATE EXTREME

DIMENSIONS					
HT	A	B	C	D	E
3'	5 <sup>5</sup> / <sub>8</sub> "	22 <sup>3</sup> / <sub>4</sub> "	7 <sup>5</sup> / <sub>8</sub> "	Per Local Code	
4'	5 <sup>5</sup> / <sub>8</sub> "	34 <sup>3</sup> / <sub>4</sub> "	7 <sup>5</sup> / <sub>8</sub> "	Per Local Code	
5'	5 <sup>5</sup> / <sub>8</sub> "	46 <sup>3</sup> / <sub>4</sub> "	7 <sup>5</sup> / <sub>8</sub> "	Per Local Code	
6'	5 <sup>5</sup> / <sub>8</sub> "	58 <sup>3</sup> / <sub>4</sub> "	7 <sup>5</sup> / <sub>8</sub> "	Per Local Code	
7'	5 <sup>5</sup> / <sub>8</sub> "	67 <sup>3</sup> / <sub>4</sub> "	10 <sup>5</sup> / <sub>8</sub> "	Per Local Code	
8'	5 <sup>5</sup> / <sub>8</sub> "	79 <sup>3</sup> / <sub>4</sub> "	10 <sup>5</sup> / <sub>8</sub> "	Per Local Code	
9'	5 <sup>5</sup> / <sub>8</sub> "	88 <sup>3</sup> / <sub>4</sub> "	13 <sup>5</sup> / <sub>8</sub> "	Per Local Code	
10'	5 <sup>5</sup> / <sub>8</sub> "	100 <sup>3</sup> / <sub>4</sub> "	13 <sup>5</sup> / <sub>8</sub> "	Per Local Code	
All Dimensions Are Nominal					

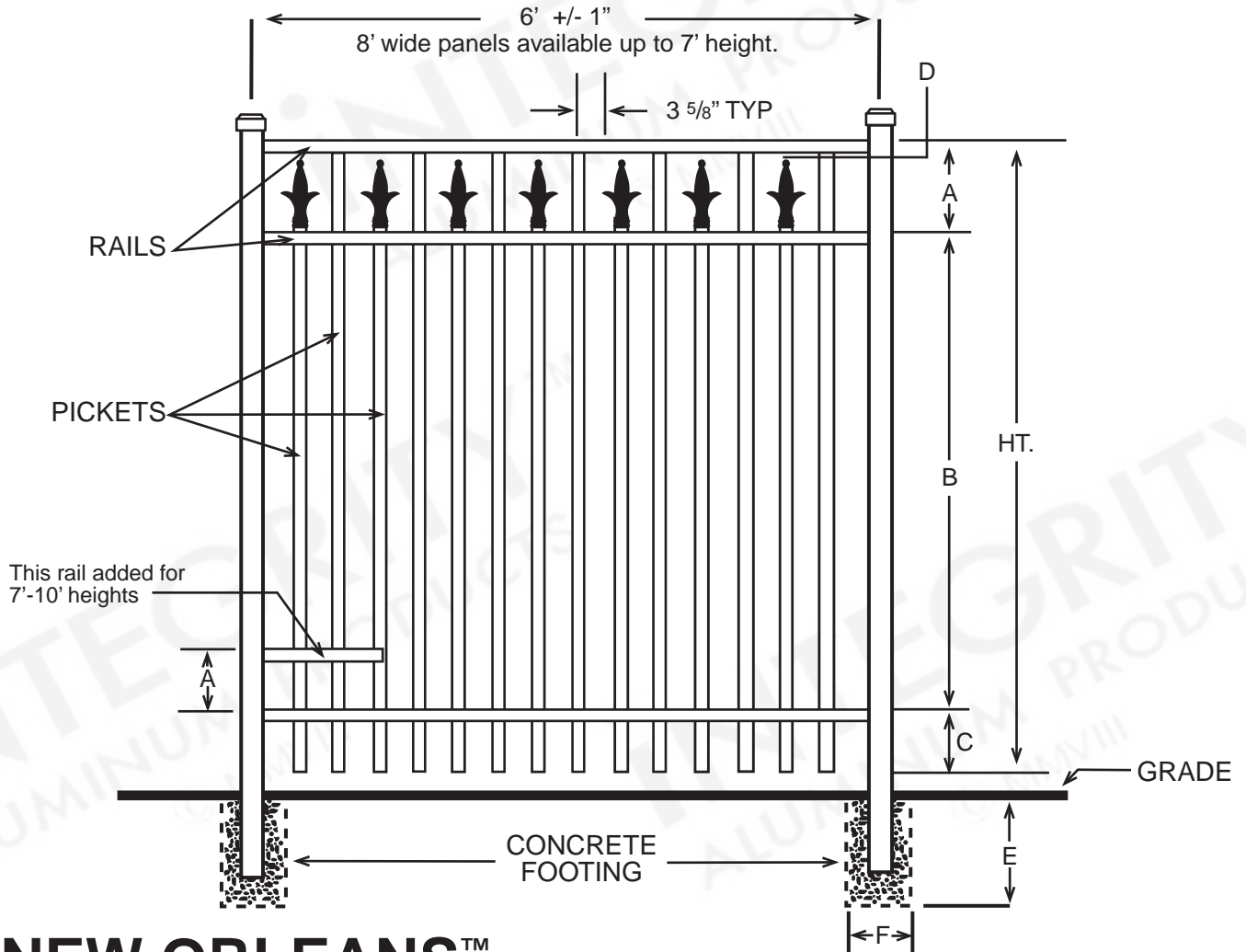
SPECIFICATIONS COMMERCIAL ULTIMATE	
Posts Available	2 <sup>1</sup> / <sub>2</sub> " x 2 <sup>1</sup> / <sub>2</sub> " x .100 Wall 3" x 3" x .125 Wall 4" x 4" x .125 Wall
Horizontal Rails Side Walls Top Walls	1 <sup>5</sup> / <sub>8</sub> " x 1 <sup>5</sup> / <sub>8</sub> " .100" .070"
Pickets Picket Spacing	1" x 1" x .062 Wall 1 <sup>1</sup> / <sub>2</sub> "
Heights Available	3, 4, 5, 6, 7, 8, 9, & 10 Ft.
Widths Available	6 & 8 Ft.



# INTEGRITY™

## ALUMINUM PRODUCTS

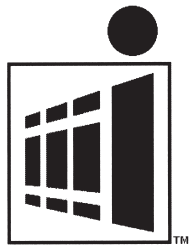
800.762.8876



## NEW ORLEANS™ ULTIMATE

DIMENSIONS						
HT	A	B	C	D	E	F
3'	7 <sup>5</sup> / <sub>8</sub> "	20 <sup>3</sup> / <sub>4</sub> "	7 <sup>5</sup> / <sub>8</sub> "	3 <sup>1</sup> / <sub>8</sub> "	Per Local Code	
4'	7 <sup>5</sup> / <sub>8</sub> "	32 <sup>3</sup> / <sub>4</sub> "	7 <sup>5</sup> / <sub>8</sub> "	3 <sup>1</sup> / <sub>8</sub> "	Per Local Code	
5'	7 <sup>5</sup> / <sub>8</sub> "	44 <sup>3</sup> / <sub>4</sub> "	7 <sup>5</sup> / <sub>8</sub> "	3 <sup>1</sup> / <sub>8</sub> "	Per Local Code	
6'	7 <sup>5</sup> / <sub>8</sub> "	56 <sup>3</sup> / <sub>4</sub> "	7 <sup>5</sup> / <sub>8</sub> "	3 <sup>1</sup> / <sub>8</sub> "	Per Local Code	
7'	10 <sup>5</sup> / <sub>8</sub> "	62 <sup>3</sup> / <sub>4</sub> "	10 <sup>5</sup> / <sub>8</sub> "	4 <sup>1</sup> / <sub>8</sub> "	Per Local Code	
8'	10 <sup>5</sup> / <sub>8</sub> "	74 <sup>3</sup> / <sub>4</sub> "	10 <sup>5</sup> / <sub>8</sub> "	4 <sup>1</sup> / <sub>8</sub> "	Per Local Code	
9'	13 <sup>5</sup> / <sub>8</sub> "	80 <sup>3</sup> / <sub>4</sub> "	13 <sup>5</sup> / <sub>8</sub> "	4 <sup>5</sup> / <sub>8</sub> "	Per Local Code	
10'	13 <sup>5</sup> / <sub>8</sub> "	92 <sup>3</sup> / <sub>4</sub> "	13 <sup>5</sup> / <sub>8</sub> "	4 <sup>5</sup> / <sub>8</sub> "	Per Local Code	
All Dimensions Are Nominal						

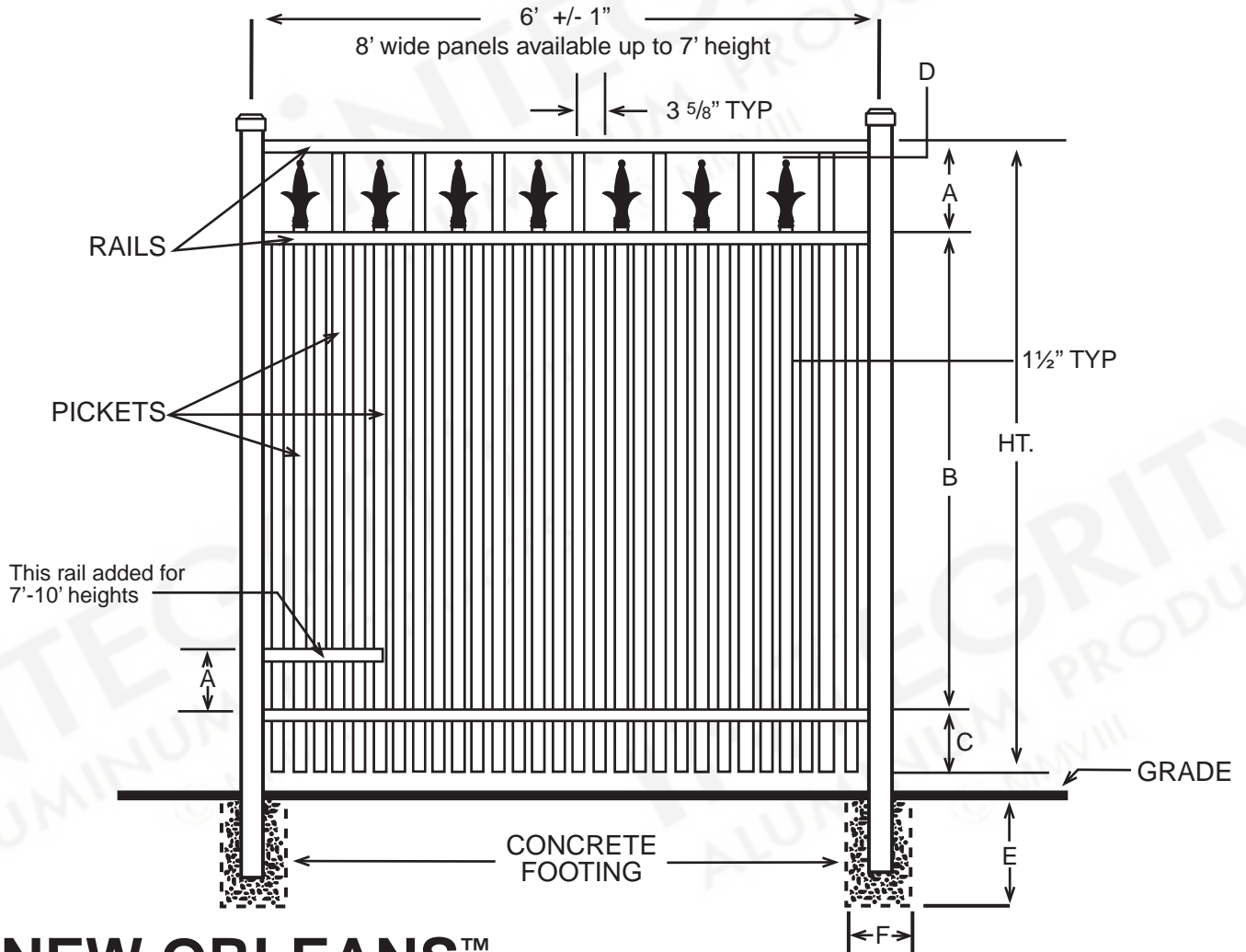
SPECIFICATIONS COMMERCIAL ULTIMATE	
Posts Available	2 <sup>1</sup> / <sub>2</sub> " x 2 <sup>1</sup> / <sub>2</sub> " x .100 Wall 3" x 3" x .125 Wall 4" x 4" x .125 Wall
Horizontal Rails Side Walls Top Walls	1 <sup>5</sup> / <sub>8</sub> " x 1 <sup>5</sup> / <sub>8</sub> " .100" .070"
Pickets Picket Spacing	1" x 1" x .062 Wall 3 <sup>5</sup> / <sub>8</sub> "
Heights Available	3, 4, 5, 6, 7, 8, 9, & 10 Ft.
Widths Available	6 & 8 Ft.



# INTEGRITY™

## ALUMINUM PRODUCTS

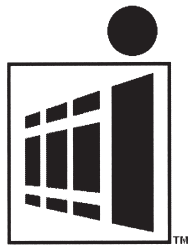
800.762.8876



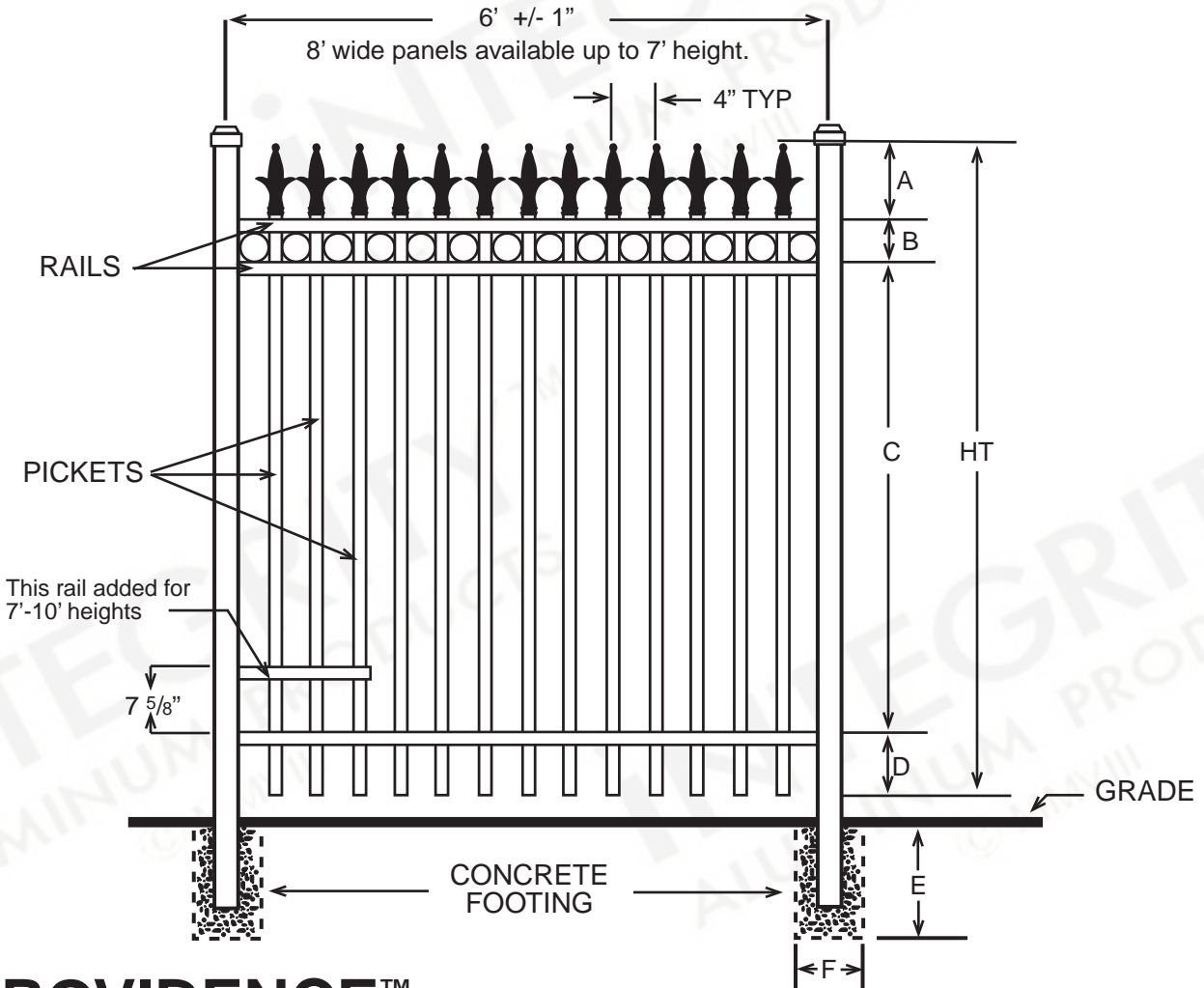
## NEW ORLEANS™ ULTIMATE EXTREME

DIMENSIONS						
HT	A	B	C	D	E	F
3'	7 <sup>5</sup> / <sub>8</sub> "	20 <sup>3</sup> / <sub>4</sub> "	7 <sup>5</sup> / <sub>8</sub> "	3 <sup>1</sup> / <sub>8</sub> "	Per Local Code	
4'	7 <sup>5</sup> / <sub>8</sub> "	32 <sup>3</sup> / <sub>4</sub> "	7 <sup>5</sup> / <sub>8</sub> "	3 <sup>1</sup> / <sub>8</sub> "	Per Local Code	
5'	7 <sup>5</sup> / <sub>8</sub> "	44 <sup>3</sup> / <sub>4</sub> "	7 <sup>5</sup> / <sub>8</sub> "	3 <sup>1</sup> / <sub>8</sub> "	Per Local Code	
6'	7 <sup>5</sup> / <sub>8</sub> "	56 <sup>3</sup> / <sub>4</sub> "	7 <sup>5</sup> / <sub>8</sub> "	3 <sup>1</sup> / <sub>8</sub> "	Per Local Code	
7'	10 <sup>5</sup> / <sub>8</sub> "	62 <sup>3</sup> / <sub>4</sub> "	10 <sup>5</sup> / <sub>8</sub> "	4 <sup>1</sup> / <sub>8</sub> "	Per Local Code	
8'	10 <sup>5</sup> / <sub>8</sub> "	74 <sup>3</sup> / <sub>4</sub> "	10 <sup>5</sup> / <sub>8</sub> "	4 <sup>1</sup> / <sub>8</sub> "	Per Local Code	
9'	13 <sup>5</sup> / <sub>8</sub> "	80 <sup>3</sup> / <sub>4</sub> "	13 <sup>5</sup> / <sub>8</sub> "	4 <sup>5</sup> / <sub>8</sub> "	Per Local Code	
10'	13 <sup>5</sup> / <sub>8</sub> "	92 <sup>3</sup> / <sub>4</sub> "	13 <sup>5</sup> / <sub>8</sub> "	4 <sup>5</sup> / <sub>8</sub> "	Per Local Code	
All Dimensions Are Nominal						

SPECIFICATIONS COMMERCIAL ULTIMATE	
Posts Available	2 <sup>1</sup> / <sub>2</sub> " x 2 <sup>1</sup> / <sub>2</sub> " x .100 Wall 3" x 3" x .125 Wall 4" x 4" x .125 Wall
Horizontal Rails Side Walls Top Walls	1 <sup>5</sup> / <sub>8</sub> " x 1 <sup>5</sup> / <sub>8</sub> " .100" .070"
Pickets Picket Spacing	1" x 1" x .062 Wall 1 <sup>1</sup> / <sub>2</sub> "
Heights Available	3, 4, 5, 6, 7, 8, 9, & 10 Ft.
Widths Available	6 & 8 Ft.



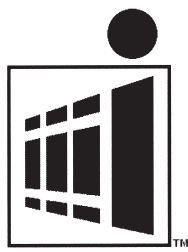
**iNTEGRITY™**  
 ALUMINUM PRODUCTS  
 800.762.8876



**PROVIDENCE™**  
 ULTIMATE

DIMENSIONS						
HT	A	B	C	D	E	F
3'	6 <sup>5</sup> / <sub>8</sub> "	5 <sup>5</sup> / <sub>8</sub> "	16 <sup>3</sup> / <sub>4</sub> "	7"	Per Local Code	
4'	6 <sup>5</sup> / <sub>8</sub> "	5 <sup>5</sup> / <sub>8</sub> "	28 <sup>3</sup> / <sub>4</sub> "	7"	Per Local Code	
5'	6 <sup>5</sup> / <sub>8</sub> "	5 <sup>5</sup> / <sub>8</sub> "	40 <sup>3</sup> / <sub>4</sub> "	7"	Per Local Code	
6'	6 <sup>5</sup> / <sub>8</sub> "	5 <sup>5</sup> / <sub>8</sub> "	52 <sup>3</sup> / <sub>4</sub> "	7"	Per Local Code	
7'	9 <sup>5</sup> / <sub>8</sub> "	5 <sup>5</sup> / <sub>8</sub> "	58 <sup>3</sup> / <sub>4</sub> "	10"	Per Local Code	
8'	9 <sup>5</sup> / <sub>8</sub> "	5 <sup>5</sup> / <sub>8</sub> "	70 <sup>3</sup> / <sub>4</sub> "	10"	Per Local Code	
9'	12 <sup>5</sup> / <sub>8</sub> "	5 <sup>5</sup> / <sub>8</sub> "	76 <sup>3</sup> / <sub>4</sub> "	13"	Per Local Code	
10'	12 <sup>5</sup> / <sub>8</sub> "	5 <sup>5</sup> / <sub>8</sub> "	88 <sup>3</sup> / <sub>4</sub> "	13"	Per Local Code	
All Dimensions Are Nominal						

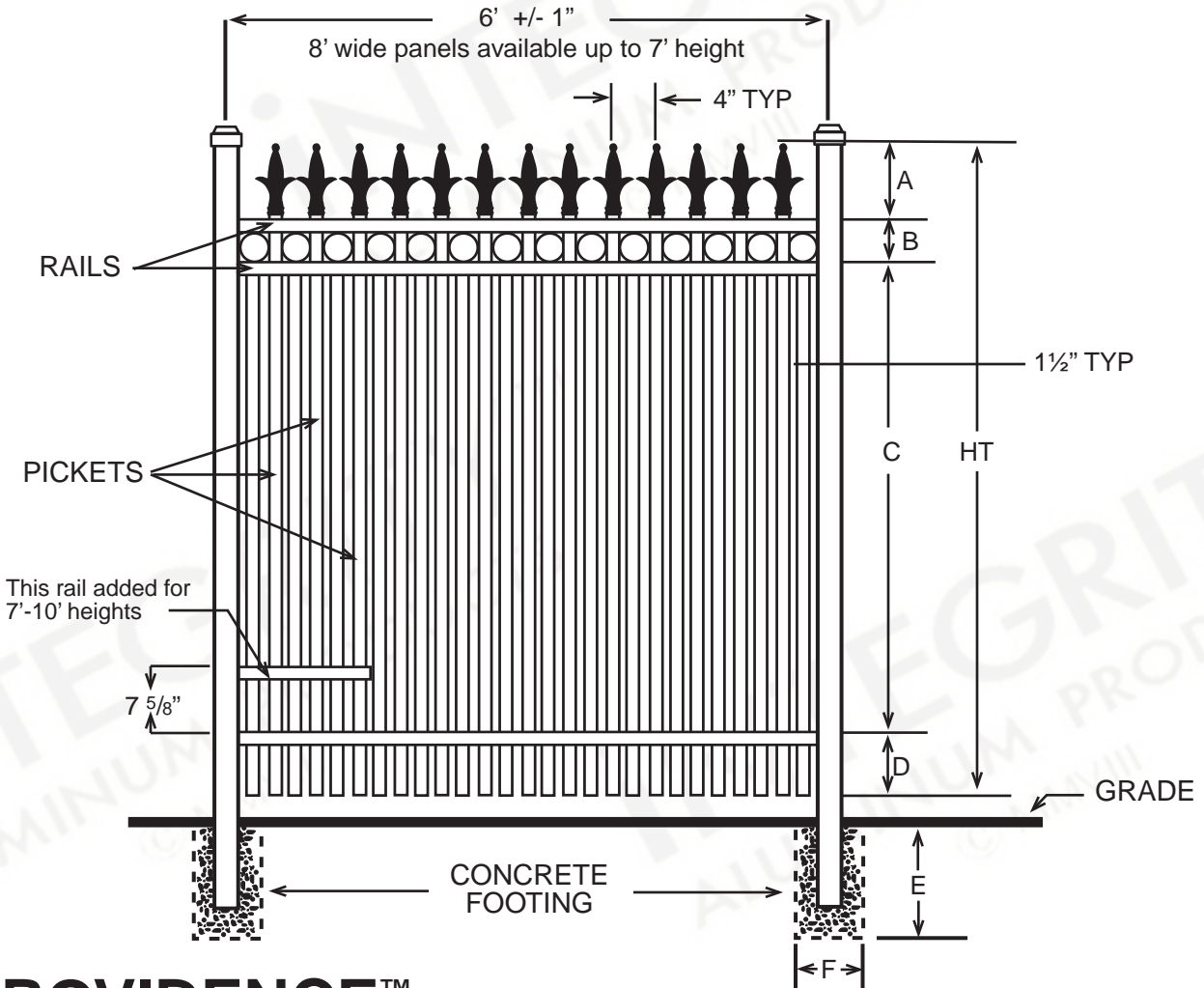
SPECIFICATIONS COMMERCIAL ULTIMATE	
Posts Available	2 <sup>1</sup> / <sub>2</sub> " x 2 <sup>1</sup> / <sub>2</sub> " x .100 Wall 3" x 3" x .125 Wall 4" x 4" x .125 Wall
Horizontal Rails Side Walls Top Walls	1 <sup>5</sup> / <sub>8</sub> " x 1 <sup>5</sup> / <sub>8</sub> " .100" .070"
Pickets Picket Spacing	1" x 1" x .062 Wall 4"
Heights Available	3, 4, 5, 6, 7, 8, 9, & 10 Ft.
Widths Available	6 & 8 Ft.



# INTEGRITY™

## ALUMINUM PRODUCTS

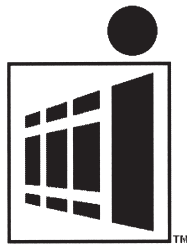
800.762.8876



## PROVIDENCE™ ULTIMATE EXTREME

DIMENSIONS						
HT	A	B	C	D	E	F
3'	6 <sup>5</sup> / <sub>8</sub> "	5 <sup>5</sup> / <sub>8</sub> "	16 <sup>3</sup> / <sub>4</sub> "	7"	Per Local Code	
4'	6 <sup>5</sup> / <sub>8</sub> "	5 <sup>5</sup> / <sub>8</sub> "	28 <sup>3</sup> / <sub>4</sub> "	7"	Per Local Code	
5'	6 <sup>5</sup> / <sub>8</sub> "	5 <sup>5</sup> / <sub>8</sub> "	40 <sup>3</sup> / <sub>4</sub> "	7"	Per Local Code	
6'	6 <sup>5</sup> / <sub>8</sub> "	5 <sup>5</sup> / <sub>8</sub> "	52 <sup>3</sup> / <sub>4</sub> "	7"	Per Local Code	
7'	9 <sup>5</sup> / <sub>8</sub> "	5 <sup>5</sup> / <sub>8</sub> "	58 <sup>3</sup> / <sub>4</sub> "	10"	Per Local Code	
8'	9 <sup>5</sup> / <sub>8</sub> "	5 <sup>5</sup> / <sub>8</sub> "	70 <sup>3</sup> / <sub>4</sub> "	10"	Per Local Code	
9'	12 <sup>5</sup> / <sub>8</sub> "	5 <sup>5</sup> / <sub>8</sub> "	76 <sup>3</sup> / <sub>4</sub> "	13"	Per Local Code	
10'	12 <sup>5</sup> / <sub>8</sub> "	5 <sup>5</sup> / <sub>8</sub> "	88 <sup>3</sup> / <sub>4</sub> "	13"	Per Local Code	
All Dimensions Are Nominal						

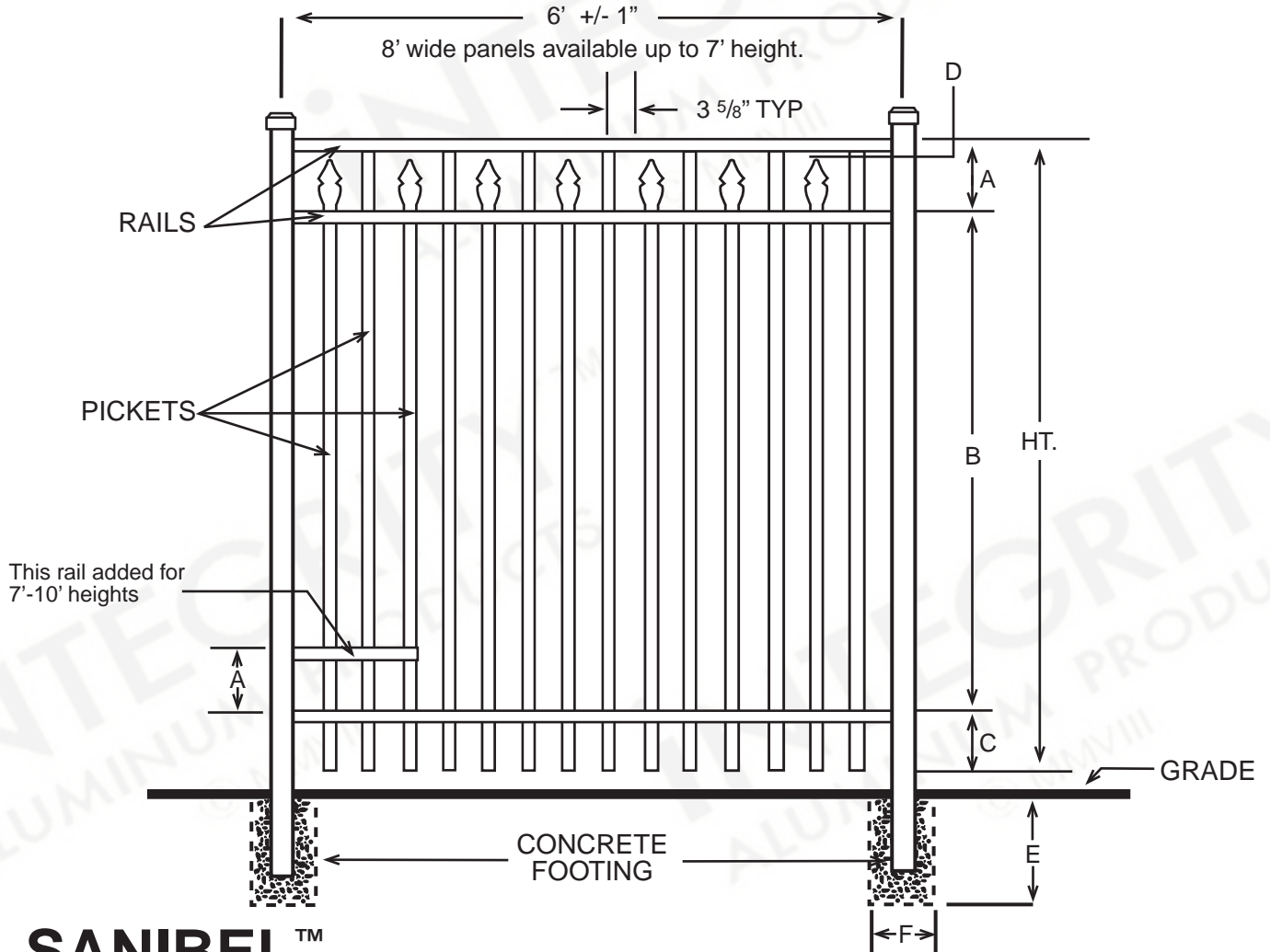
SPECIFICATIONS COMMERCIAL ULTIMATE	
Posts Available	2 <sup>1</sup> / <sub>2</sub> " x 2 <sup>1</sup> / <sub>2</sub> " x .100 Wall 3" x 3" x .125 Wall 4" x 4" x .125 Wall
Horizontal Rails Side Walls Top Walls	1 <sup>5</sup> / <sub>8</sub> " x 1 <sup>5</sup> / <sub>8</sub> " .100" .070"
Pickets Picket Spacing	1" x 1" x .062 Wall 1 <sup>1</sup> / <sub>2</sub> "
Heights Available	3, 4, 5, 6, 7, 8, 9, & 10 Ft.
Widths Available	6 & 8 Ft.



# INTEGRITY™

## ALUMINUM PRODUCTS

800.762.8876



## SANIBEL™ ULTIMATE

DIMENSIONS						
HT	A	B	C	D	E	F
3'	7 <sup>5</sup> / <sub>8</sub> "	20 <sup>3</sup> / <sub>4</sub> "	7 <sup>5</sup> / <sub>8</sub> "	3 <sup>1</sup> / <sub>8</sub> "	Per Local Code	
4'	7 <sup>5</sup> / <sub>8</sub> "	32 <sup>3</sup> / <sub>4</sub> "	7 <sup>5</sup> / <sub>8</sub> "	3 <sup>1</sup> / <sub>8</sub> "	Per Local Code	
5'	7 <sup>5</sup> / <sub>8</sub> "	44 <sup>3</sup> / <sub>4</sub> "	7 <sup>5</sup> / <sub>8</sub> "	3 <sup>1</sup> / <sub>8</sub> "	Per Local Code	
6'	7 <sup>5</sup> / <sub>8</sub> "	56 <sup>3</sup> / <sub>4</sub> "	7 <sup>5</sup> / <sub>8</sub> "	3 <sup>1</sup> / <sub>8</sub> "	Per Local Code	
7'	10 <sup>5</sup> / <sub>8</sub> "	62 <sup>3</sup> / <sub>4</sub> "	10 <sup>5</sup> / <sub>8</sub> "	4 <sup>1</sup> / <sub>8</sub> "	Per Local Code	
8'	10 <sup>5</sup> / <sub>8</sub> "	74 <sup>3</sup> / <sub>4</sub> "	10 <sup>5</sup> / <sub>8</sub> "	4 <sup>1</sup> / <sub>8</sub> "	Per Local Code	
9'	13 <sup>5</sup> / <sub>8</sub> "	80 <sup>3</sup> / <sub>4</sub> "	13 <sup>5</sup> / <sub>8</sub> "	4 <sup>5</sup> / <sub>8</sub> "	Per Local Code	
10'	13 <sup>5</sup> / <sub>8</sub> "	92 <sup>3</sup> / <sub>4</sub> "	13 <sup>5</sup> / <sub>8</sub> "	4 <sup>5</sup> / <sub>8</sub> "	Per Local Code	
All Dimensions Are Nominal						

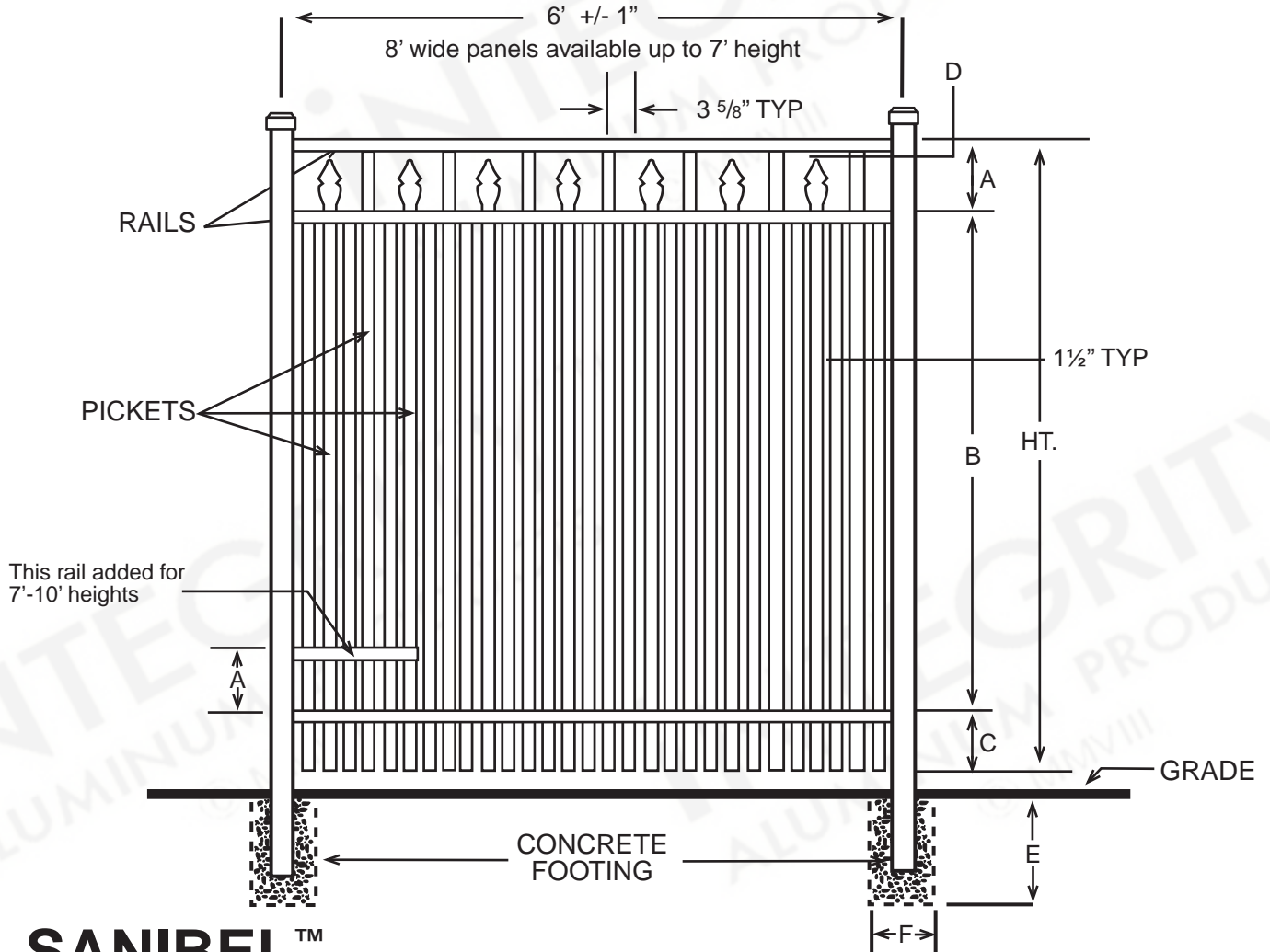
SPECIFICATIONS COMMERCIAL ULTIMATE	
Posts Available	2 <sup>1</sup> / <sub>2</sub> " x 2 <sup>1</sup> / <sub>2</sub> " x .100 Wall 3" x 3" x .125 Wall 4" x 4" x .125 Wall
Horizontal Rails Side Walls Top Walls	1 <sup>5</sup> / <sub>8</sub> " x 1 <sup>5</sup> / <sub>8</sub> " .100" .070"
Pickets Picket Spacing	1" x 1" x .062 Wall 3 <sup>5</sup> / <sub>8</sub> "
Heights Available	3, 4, 5, 6, 7, 8, 9, & 10 Ft.
Widths Available	6 & 8 Ft.



# INTEGRITY™

## ALUMINUM PRODUCTS

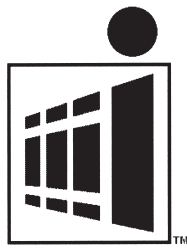
800.762.8876



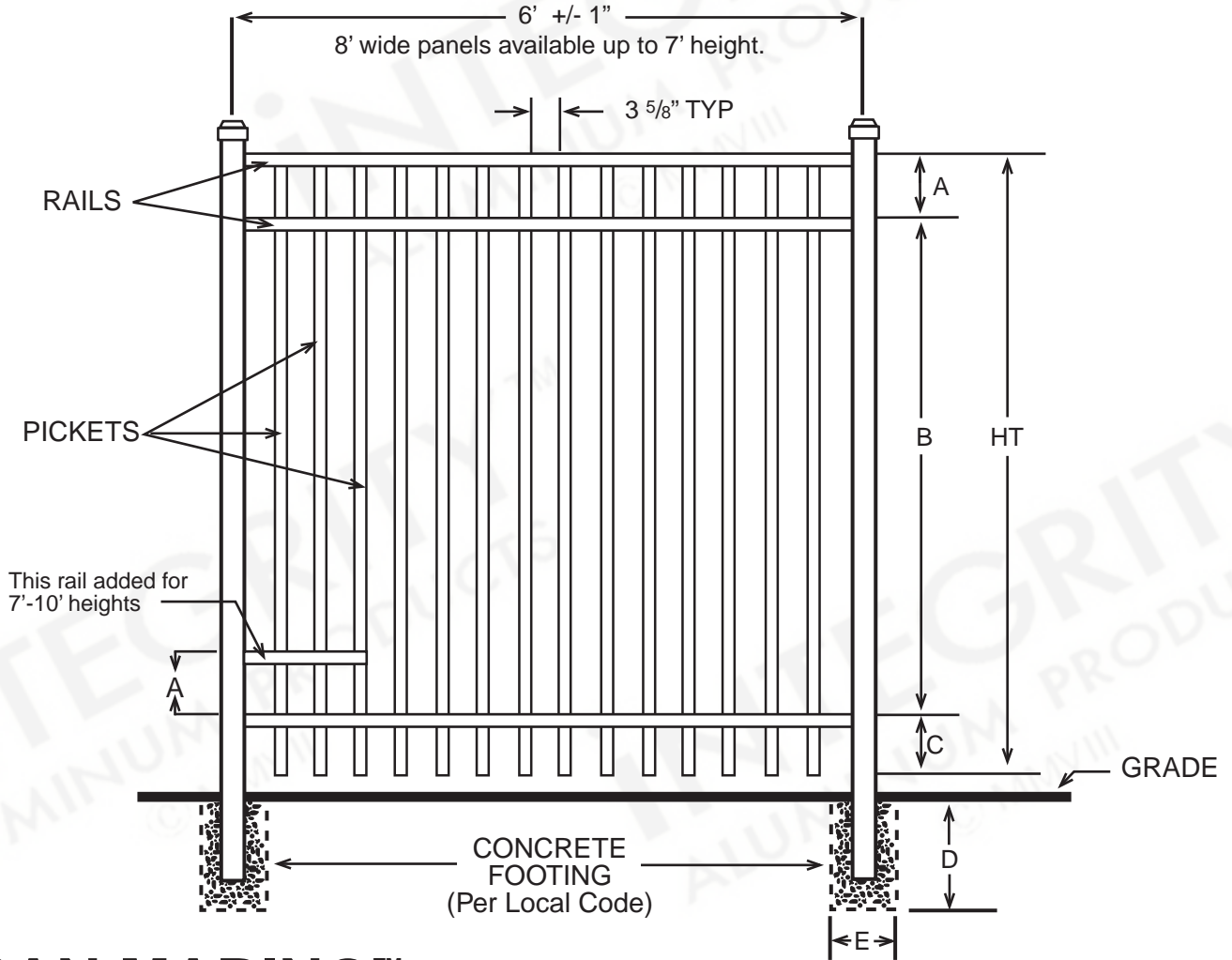
## SANIBEL™ ULTIMATE EXTREME

DIMENSIONS						
HT	A	B	C	D	E	F
3'	7 <sup>5</sup> / <sub>8</sub> "	20 <sup>3</sup> / <sub>4</sub> "	7 <sup>5</sup> / <sub>8</sub> "	3 <sup>1</sup> / <sub>8</sub> "	Per Local Code	
4'	7 <sup>5</sup> / <sub>8</sub> "	32 <sup>3</sup> / <sub>4</sub> "	7 <sup>5</sup> / <sub>8</sub> "	3 <sup>1</sup> / <sub>8</sub> "	Per Local Code	
5'	7 <sup>5</sup> / <sub>8</sub> "	44 <sup>3</sup> / <sub>4</sub> "	7 <sup>5</sup> / <sub>8</sub> "	3 <sup>1</sup> / <sub>8</sub> "	Per Local Code	
6'	7 <sup>5</sup> / <sub>8</sub> "	56 <sup>3</sup> / <sub>4</sub> "	7 <sup>5</sup> / <sub>8</sub> "	3 <sup>1</sup> / <sub>8</sub> "	Per Local Code	
7'	10 <sup>5</sup> / <sub>8</sub> "	62 <sup>3</sup> / <sub>4</sub> "	10 <sup>5</sup> / <sub>8</sub> "	4 <sup>1</sup> / <sub>8</sub> "	Per Local Code	
8'	10 <sup>5</sup> / <sub>8</sub> "	74 <sup>3</sup> / <sub>4</sub> "	10 <sup>5</sup> / <sub>8</sub> "	4 <sup>1</sup> / <sub>8</sub> "	Per Local Code	
9'	13 <sup>5</sup> / <sub>8</sub> "	80 <sup>3</sup> / <sub>4</sub> "	13 <sup>5</sup> / <sub>8</sub> "	4 <sup>5</sup> / <sub>8</sub> "	Per Local Code	
10'	13 <sup>5</sup> / <sub>8</sub> "	92 <sup>3</sup> / <sub>4</sub> "	13 <sup>5</sup> / <sub>8</sub> "	4 <sup>5</sup> / <sub>8</sub> "	Per Local Code	
All Dimensions Are Nominal						

SPECIFICATIONS COMMERCIAL ULTIMATE	
Posts Available	2 <sup>1</sup> / <sub>2</sub> " x 2 <sup>1</sup> / <sub>2</sub> " x .100 Wall 3" x 3" x .125 Wall 4" x 4" x .125 Wall
Horizontal Rails Side Walls Top Walls	1 <sup>5</sup> / <sub>8</sub> " x 1 <sup>5</sup> / <sub>8</sub> " .100" .070"
Pickets Picket Spacing	1" x 1" x .062 Wall 1 <sup>1</sup> / <sub>2</sub> "
Heights Available	3, 4, 5, 6, 7, 8, 9, & 10 Ft.
Widths Available	6 & 8 Ft.



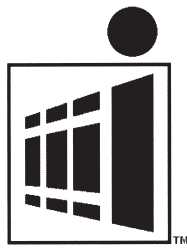
**iNTEGRITY™**  
 ALUMINUM PRODUCTS  
 800.762.8876



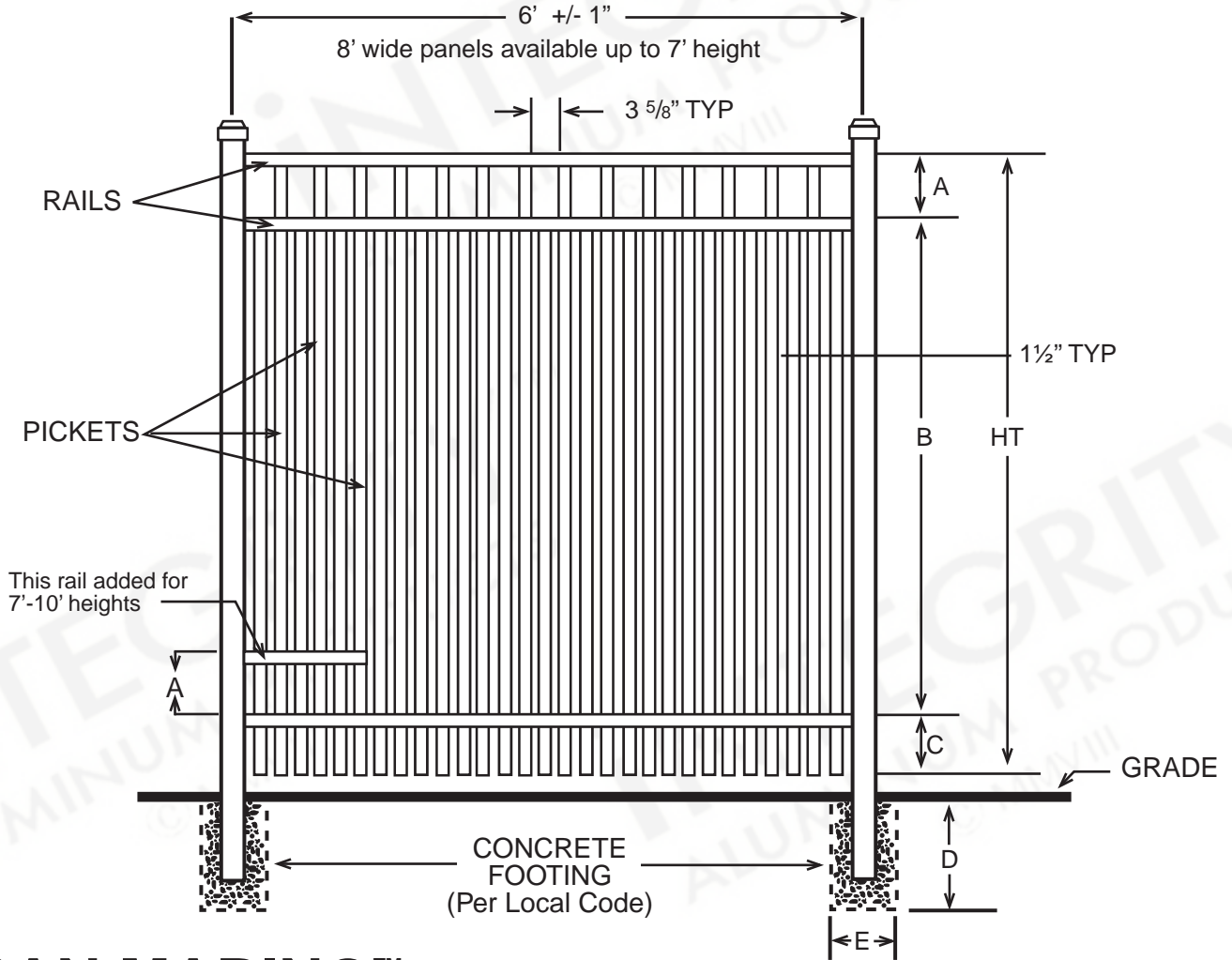
## SAN MARINO™ ULTIMATE

DIMENSIONS					
HT	A	B	C	D	E
3'	7 <sup>5</sup> / <sub>8</sub> "	20 <sup>3</sup> / <sub>4</sub> "	7 <sup>5</sup> / <sub>8</sub> "	Per Local Code	
4'	7 <sup>5</sup> / <sub>8</sub> "	32 <sup>3</sup> / <sub>4</sub> "	7 <sup>5</sup> / <sub>8</sub> "	Per Local Code	
5'	7 <sup>5</sup> / <sub>8</sub> "	44 <sup>3</sup> / <sub>4</sub> "	7 <sup>5</sup> / <sub>8</sub> "	Per Local Code	
6'	7 <sup>5</sup> / <sub>8</sub> "	56 <sup>3</sup> / <sub>4</sub> "	7 <sup>5</sup> / <sub>8</sub> "	Per Local Code	
7'	10 <sup>5</sup> / <sub>8</sub> "	62 <sup>3</sup> / <sub>4</sub> "	10 <sup>5</sup> / <sub>8</sub> "	Per Local Code	
8'	10 <sup>5</sup> / <sub>8</sub> "	74 <sup>3</sup> / <sub>4</sub> "	10 <sup>5</sup> / <sub>8</sub> "	Per Local Code	
9'	13 <sup>5</sup> / <sub>8</sub> "	80 <sup>3</sup> / <sub>4</sub> "	13 <sup>5</sup> / <sub>8</sub> "	Per Local Code	
10'	13 <sup>5</sup> / <sub>8</sub> "	92 <sup>3</sup> / <sub>4</sub> "	13 <sup>5</sup> / <sub>8</sub> "	Per Local Code	
All Dimensions Are Nominal					

SPECIFICATIONS COMMERCIAL ULTIMATE	
Posts Available	2 <sup>1</sup> / <sub>2</sub> " x 2 <sup>1</sup> / <sub>2</sub> " x .100 Wall 3" x 3" x .125 Wall 4" x 4" x .125 Wall
Horizontal Rails Side Walls Top Walls	1 <sup>5</sup> / <sub>8</sub> " x 1 <sup>5</sup> / <sub>8</sub> " .100" .070"
Pickets Picket Spacing	1" x 1" x .062 Wall 3 <sup>5</sup> / <sub>8</sub> "
Heights Available	3, 4, 5, 6, 7, 8, 9, & 10 Ft.
Widths Available	6 & 8 Ft.



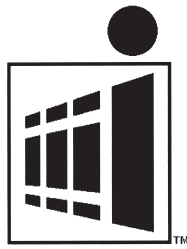
**iNTEGRITY™**  
ALUMINUM PRODUCTS  
800.762.8876



## SAN MARINO™ ULTIMATE EXTREME

DIMENSIONS					
HT	A	B	C	D	E
3'	7 <sup>5</sup> / <sub>8</sub> "	20 <sup>3</sup> / <sub>4</sub> "	7 <sup>5</sup> / <sub>8</sub> "	Per Local Code	
4'	7 <sup>5</sup> / <sub>8</sub> "	32 <sup>3</sup> / <sub>4</sub> "	7 <sup>5</sup> / <sub>8</sub> "	Per Local Code	
5'	7 <sup>5</sup> / <sub>8</sub> "	44 <sup>3</sup> / <sub>4</sub> "	7 <sup>5</sup> / <sub>8</sub> "	Per Local Code	
6'	7 <sup>5</sup> / <sub>8</sub> "	56 <sup>3</sup> / <sub>4</sub> "	7 <sup>5</sup> / <sub>8</sub> "	Per Local Code	
7'	10 <sup>5</sup> / <sub>8</sub> "	62 <sup>3</sup> / <sub>4</sub> "	10 <sup>5</sup> / <sub>8</sub> "	Per Local Code	
8'	10 <sup>5</sup> / <sub>8</sub> "	74 <sup>3</sup> / <sub>4</sub> "	10 <sup>5</sup> / <sub>8</sub> "	Per Local Code	
9'	13 <sup>5</sup> / <sub>8</sub> "	80 <sup>3</sup> / <sub>4</sub> "	13 <sup>5</sup> / <sub>8</sub> "	Per Local Code	
10'	13 <sup>5</sup> / <sub>8</sub> "	92 <sup>3</sup> / <sub>4</sub> "	13 <sup>5</sup> / <sub>8</sub> "	Per Local Code	
All Dimensions Are Nominal					

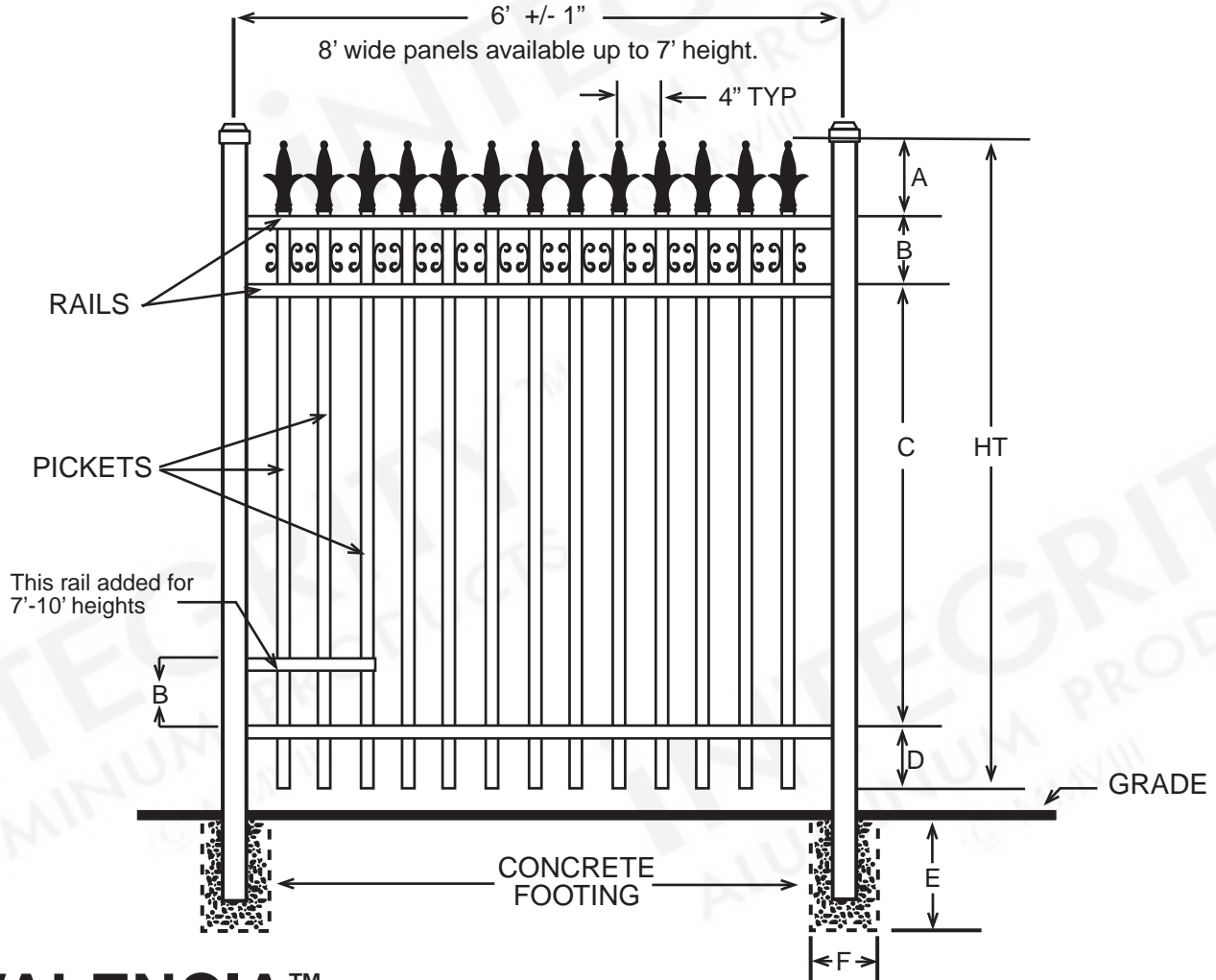
SPECIFICATIONS COMMERCIAL ULTIMATE	
Posts Available	2 <sup>1</sup> / <sub>2</sub> " x 2 <sup>1</sup> / <sub>2</sub> " x .100 Wall 3" x 3" x .125 Wall 4" x 4" x .125 Wall
Horizontal Rails Side Walls Top Walls	1 <sup>5</sup> / <sub>8</sub> " x 1 <sup>5</sup> / <sub>8</sub> " .100" .070"
Pickets Picket Spacing	1" x 1" x .062 Wall 1 <sup>1</sup> / <sub>2</sub> "
Heights Available	3, 4, 5, 6, 7, 8, 9, & 10 Ft.
Widths Available	6 & 8 Ft.



# INTEGRITY™

## ALUMINUM PRODUCTS

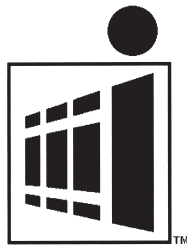
800.762.8876



## VALENCIA™ ULTIMATE

DIMENSIONS						
HT	A	B	C	D	E	F
3'	6 <sup>5</sup> / <sub>8</sub> "	7 <sup>5</sup> / <sub>8</sub> "	14 <sup>3</sup> / <sub>4</sub> "	7"	Per Local Code	
4'	6 <sup>5</sup> / <sub>8</sub> "	7 <sup>5</sup> / <sub>8</sub> "	26 <sup>3</sup> / <sub>4</sub> "	7"	Per Local Code	
5'	6 <sup>5</sup> / <sub>8</sub> "	7 <sup>5</sup> / <sub>8</sub> "	38 <sup>3</sup> / <sub>4</sub> "	7"	Per Local Code	
6'	6 <sup>5</sup> / <sub>8</sub> "	7 <sup>5</sup> / <sub>8</sub> "	50 <sup>3</sup> / <sub>4</sub> "	7"	Per Local Code	
7'	9 <sup>5</sup> / <sub>8</sub> "	10 <sup>5</sup> / <sub>8</sub> "	53 <sup>3</sup> / <sub>4</sub> "	10"	Per Local Code	
8'	9 <sup>5</sup> / <sub>8</sub> "	10 <sup>5</sup> / <sub>8</sub> "	65 <sup>3</sup> / <sub>4</sub> "	10"	Per Local Code	
9'	12 <sup>5</sup> / <sub>8</sub> "	13 <sup>5</sup> / <sub>8</sub> "	68 <sup>3</sup> / <sub>4</sub> "	13"	Per Local Code	
10'	12 <sup>5</sup> / <sub>8</sub> "	13 <sup>5</sup> / <sub>8</sub> "	80 <sup>3</sup> / <sub>4</sub> "	13"	Per Local Code	
All Dimensions Are Nominal						

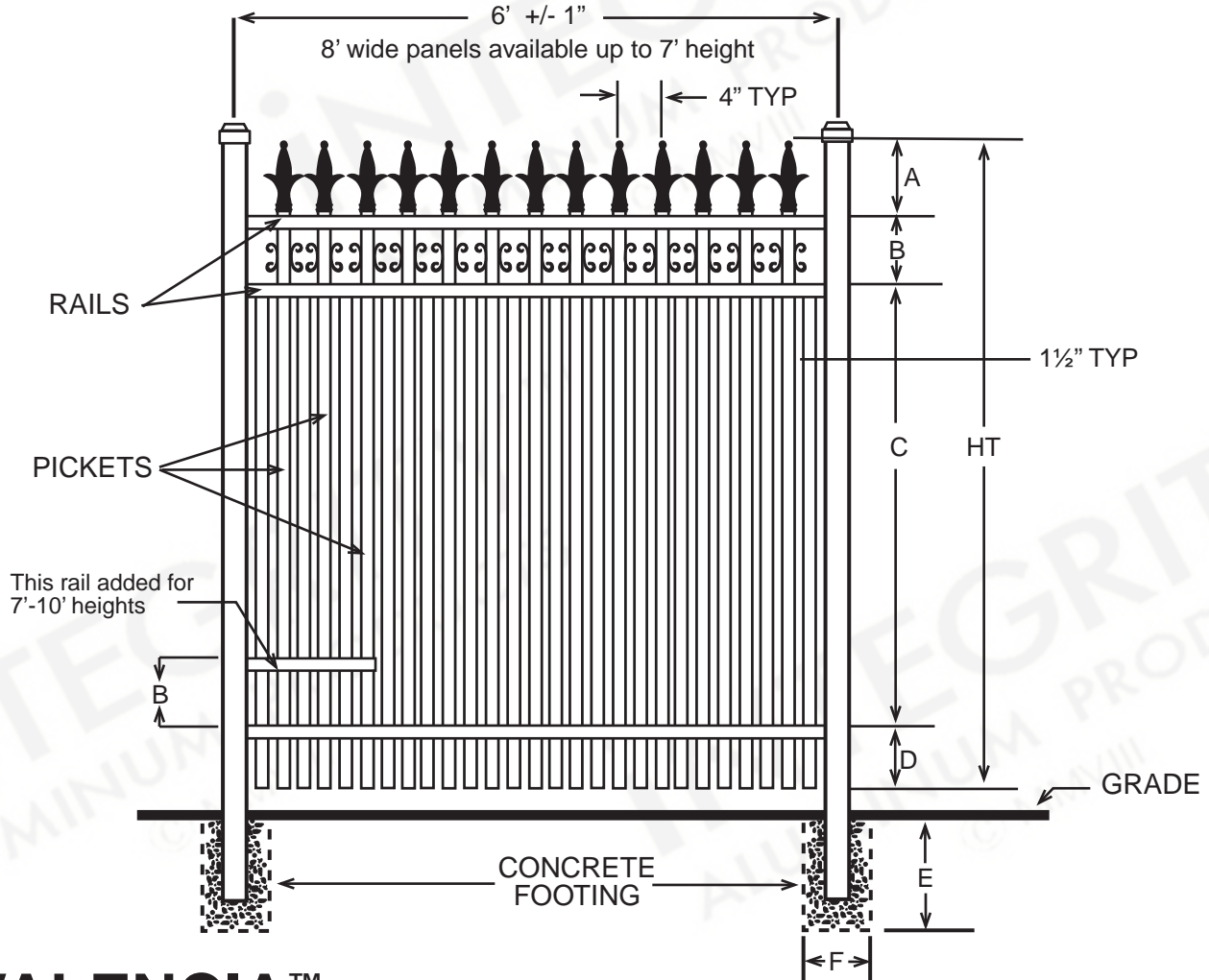
SPECIFICATIONS COMMERCIAL ULTIMATE	
Posts Available	2 <sup>1</sup> / <sub>2</sub> " x 2 <sup>1</sup> / <sub>2</sub> " x .100 Wall 3" x 3" x .125 Wall 4" x 4" x .125 Wall
Horizontal Rails Side Walls Top Walls	1 <sup>5</sup> / <sub>8</sub> " x 1 <sup>5</sup> / <sub>8</sub> " .100" .070"
Pickets Picket Spacing	1" x 1" x .062 Wall 4"
Heights Available	3, 4, 5, 6, 7, 8, 9, & 10 Ft.
Widths Available	6 & 8 Ft.



# INTEGRITY™

## ALUMINUM PRODUCTS

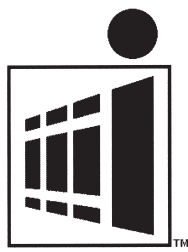
800.762.8876



## VALENCIA™ ULTIMATE EXTREME

DIMENSIONS						
HT	A	B	C	D	E	F
3'	6 <sup>5</sup> / <sub>8</sub> "	7 <sup>5</sup> / <sub>8</sub> "	14 <sup>3</sup> / <sub>4</sub> "	7"	Per Local Code	
4'	6 <sup>5</sup> / <sub>8</sub> "	7 <sup>5</sup> / <sub>8</sub> "	26 <sup>3</sup> / <sub>4</sub> "	7"	Per Local Code	
5'	6 <sup>5</sup> / <sub>8</sub> "	7 <sup>5</sup> / <sub>8</sub> "	38 <sup>3</sup> / <sub>4</sub> "	7"	Per Local Code	
6'	6 <sup>5</sup> / <sub>8</sub> "	7 <sup>5</sup> / <sub>8</sub> "	50 <sup>3</sup> / <sub>4</sub> "	7"	Per Local Code	
7'	9 <sup>5</sup> / <sub>8</sub> "	10 <sup>5</sup> / <sub>8</sub> "	53 <sup>3</sup> / <sub>4</sub> "	10"	Per Local Code	
8'	9 <sup>5</sup> / <sub>8</sub> "	10 <sup>5</sup> / <sub>8</sub> "	65 <sup>3</sup> / <sub>4</sub> "	10"	Per Local Code	
9'	12 <sup>5</sup> / <sub>8</sub> "	13 <sup>5</sup> / <sub>8</sub> "	68 <sup>3</sup> / <sub>4</sub> "	13"	Per Local Code	
10'	12 <sup>5</sup> / <sub>8</sub> "	13 <sup>5</sup> / <sub>8</sub> "	80 <sup>3</sup> / <sub>4</sub> "	13"	Per Local Code	
All Dimensions Are Nominal						

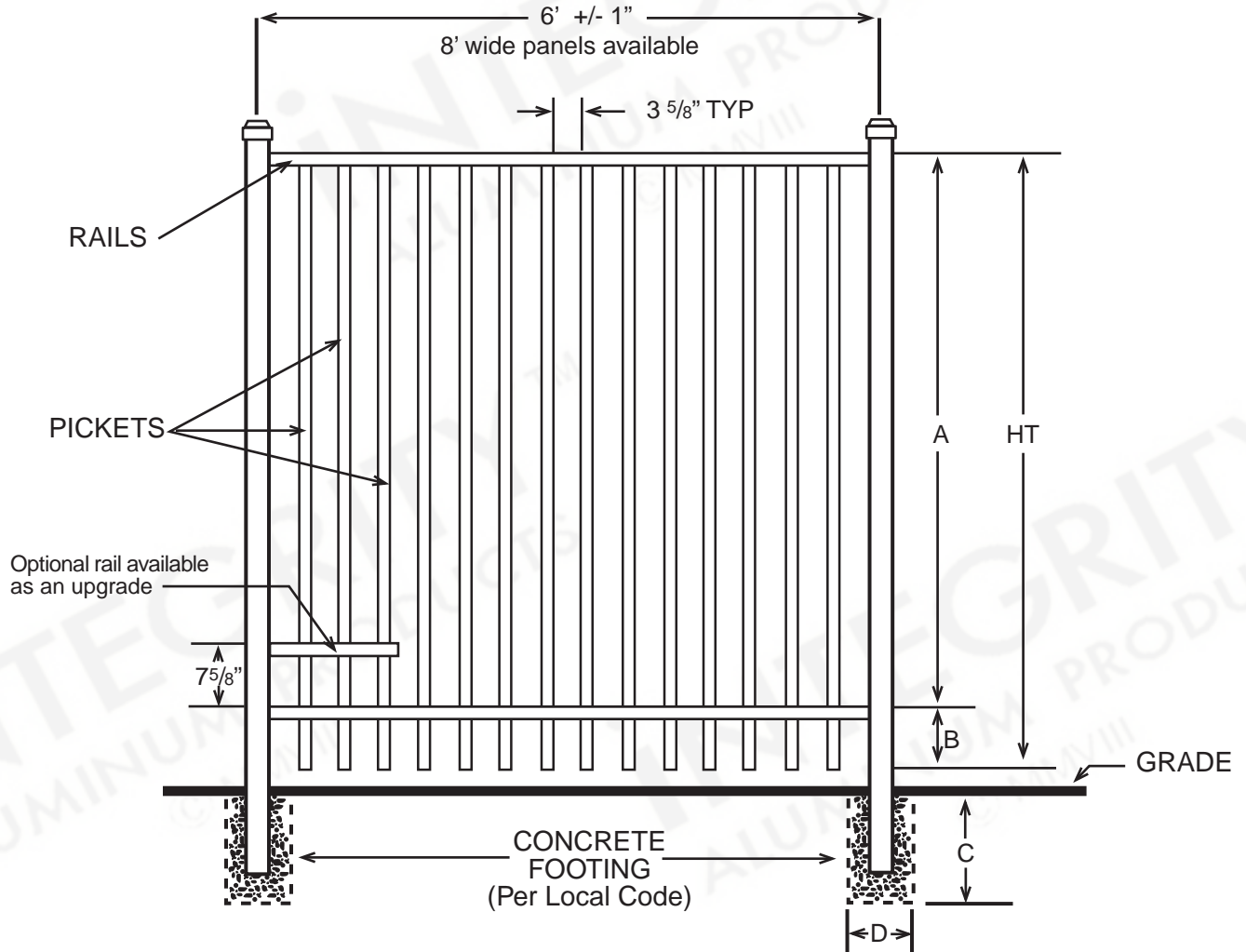
SPECIFICATIONS COMMERCIAL ULTIMATE	
Posts Available	2 <sup>1</sup> / <sub>2</sub> " x 2 <sup>1</sup> / <sub>2</sub> " x .100 Wall 3" x 3" x .125 Wall 4" x 4" x .125 Wall
Horizontal Rails Side Walls Top Walls	1 <sup>5</sup> / <sub>8</sub> " x 1 <sup>5</sup> / <sub>8</sub> " .100" .070"
Pickets Picket Spacing	1" x 1" x .062 Wall 1 <sup>1</sup> / <sub>2</sub> "
Heights Available	3, 4, 5, 6, 7, 8, 9, & 10 Ft.
Widths Available	6 & 8 Ft.



# INTEGRITY™

## ALUMINUM PRODUCTS

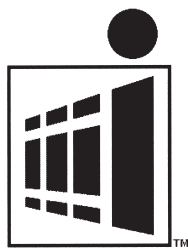
800.762.8876



## VENTURA™ ULTIMATE

DIMENSIONS				
HT	A	B	C	D
3'	29"	7"	Per Local Code	
4'	41"	7"	Per Local Code	
5'	53"	7"	Per Local Code	
6'	65"	7"	Per Local Code	
All Dimensions Are Nominal				

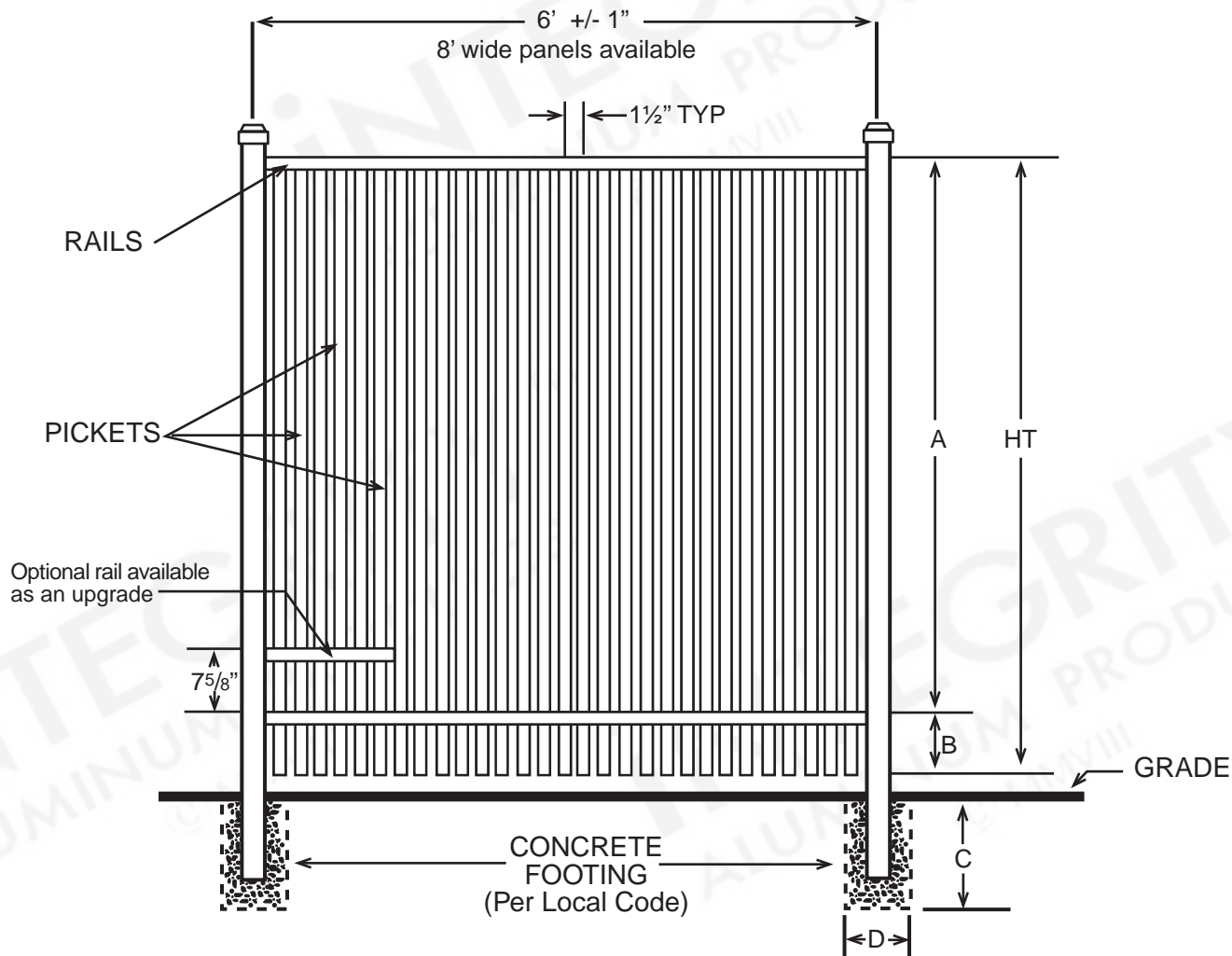
SPECIFICATIONS COMMERCIAL ULTIMATE	
Posts Available	2½" x 2½" x .100 Wall 3" x 3" x .125 Wall 4" x 4" x .125 Wall
Horizontal Rails Side Walls Top Walls	1⅝" x 1⅝" .100" .070"
Pickets Picket Spacing	1" x 1" x .062 Wall 3⅝"
Heights Available	3, 4, 5 & 6 Ft.
Widths Available	6 & 8 Ft.



# INTEGRITY™

## ALUMINUM PRODUCTS

800.762.8876



## VENTURA™ ULTIMATE EXTREME

DIMENSIONS				
HT	A	B	C	D
3'	29"	7"	Per Local Code	
4'	41"	7"	Per Local Code	
5'	53"	7"	Per Local Code	
6'	65"	7"	Per Local Code	
All Dimensions Are Nominal				

SPECIFICATIONS COMMERCIAL ULTIMATE	
Posts Available	2 1/2" x 2 1/2" x .100 Wall 3" x 3" x .125 Wall 4" x 4" x .125 Wall
Horizontal Rails Side Walls Top Walls	1 5/8" x 1 5/8" .100" .070"
Pickets Picket Spacing	1" x 1" x .062 Wall 1 1/2"
Heights Available	3, 4, 5 & 6 Ft.
Widths Available	6 & 8 Ft.